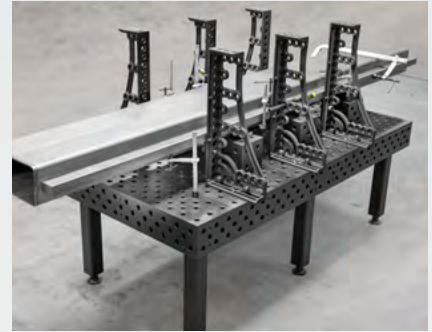


2021 NEW PRODUCT CATALOG



**BOLD NEW CONCEPTS TO HELP YOU WORK
COMFORTABLY & PRODUCTIVELY.**



StrongHandTools.com
800.989.5244
Ver.2

2021 NEW PRODUCTS

ESSENTIAL EQUIPMENT FOR HANDLING GAS CYLINDERS

GAS CYLINDER STORAGE HOOK

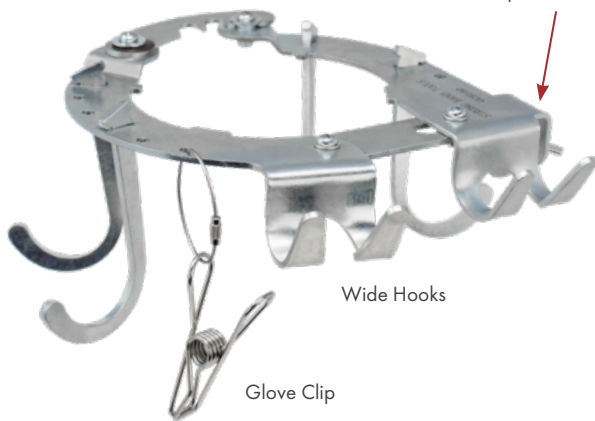
- 2 Large Single Hooks and 2 Double Hooks hold your helmet, hammer, wrenches, and other welding essentials.
- Keep gear visible at eye level, organized, and easy to reach.
- 2 Prong wide hooks are perfect for helmets, hoses, cables.
- Glove Clip provides a place for stowing and airing gloves.
- Constructed of plated steel. No plastic here.
- The new and improved adjustable model GCH160 has adjustable opening for fitting various cylinders shoulder diameters. Adjustment screws keep the hook secure.
- Hooks install and uninstall around the valve and hoses from the side - no need to remove valves or hoses.



Adjustable Opening



Adjustment Screw



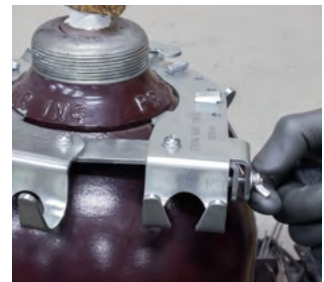
Wide Hooks

Glove Clip

PART NO.	DIMENSIONS	WEIGHT
GCH160	9.6" W x 8.5" D x 6.2" H 244 x 216 x 157 mm	2.1 lb 1 kg



Adjustable opening for sliding in and out. Avoid valve and hose.



Thumb screw ensures a snug fit of the hooks on the cylinder



3 styles of hooks and clips



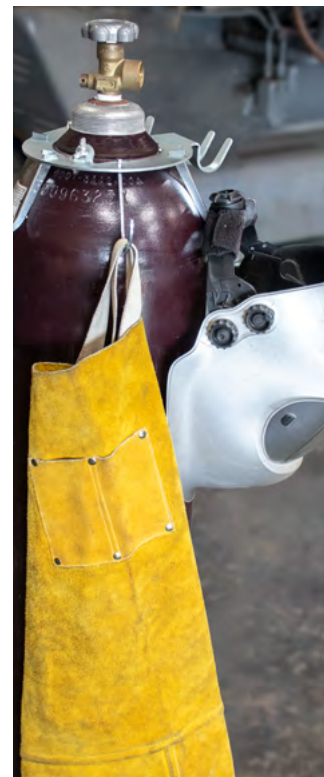
4 points of contact for stability



Two built-in dual prong hooks for larger tools: torches with hose, hammer, cords, helmet...

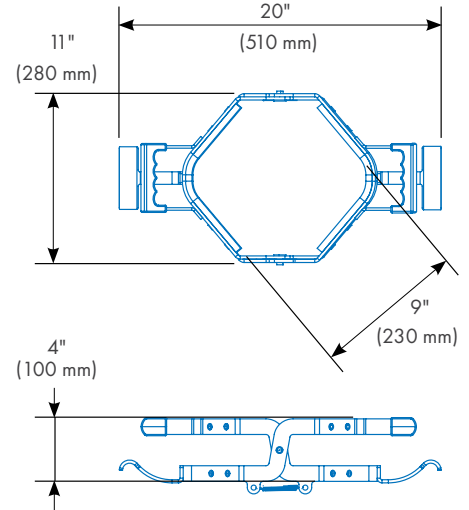


Two built-in dual prong hooks for larger tools: torches with hose, hammer, cords, helmet...



Hold your long apron & welding helmet.

GAS GRABBER



PART NO.	DIMENSIONS	FOR CYLINDER SIZES	WEIGHT
GCL230	20"W x 11"D x 4"H 510 W x 280 D x 100 mm H	8.5" ~ 9" Dia. 215 ~ 230 mm Dia.	7 lb 3.2 kg

- Two handles for safe, two-person team lifting.
- 8-point cylinder contact and friction pads provide a positive, safe hold.
- Scissor-action handles automatically engage for secure lifting.



Secure, no-slip holding for a safe, productive workplace.



Release the handles, and the Grabber remains in position on the cylinder, ready for use.



Safely carry heavy cylinders upstairs with the Gas Grabber.

2021 NEW PRODUCTS

ESSENTIAL EQUIPMENT FOR HANDLING GAS CYLINDERS

GAS CYLINDER CART

SAFELY LIFT, MOVE, PLACE, & STORE CYLINDERS

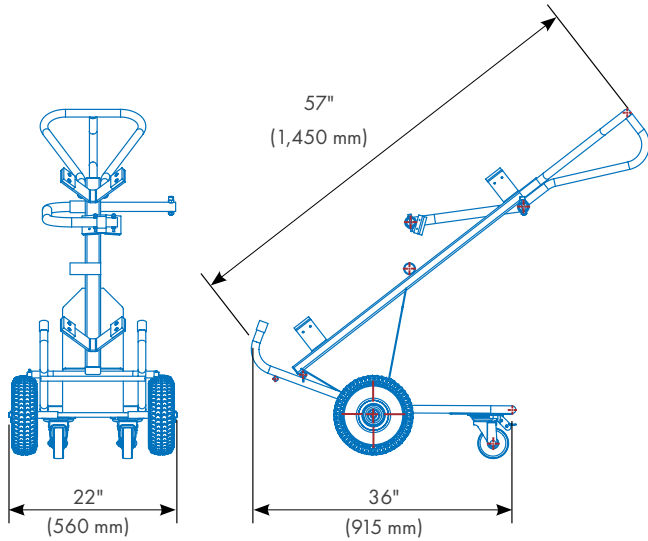
This new cylinder cart allows you to safely lift, move, place and store heavy cylinders. The sliding Stainless Steel Keeper Bar holds the cylinder securely in place without the use of chains or straps.

Lift cylinders for placement on an elevated platform, such as a welding cart or pallet. [up to 7" / 175 mm high]. Two 3" / 75 mm rear locking wheels provide easy movement + stable storage.



LIFT CYLINDERS FOR PLACEMENT ON AN ELEVATED PLATFORM, SUCH AS A WELDING CART OR PALLET. [UP TO 7" / 175 MM HIGH].



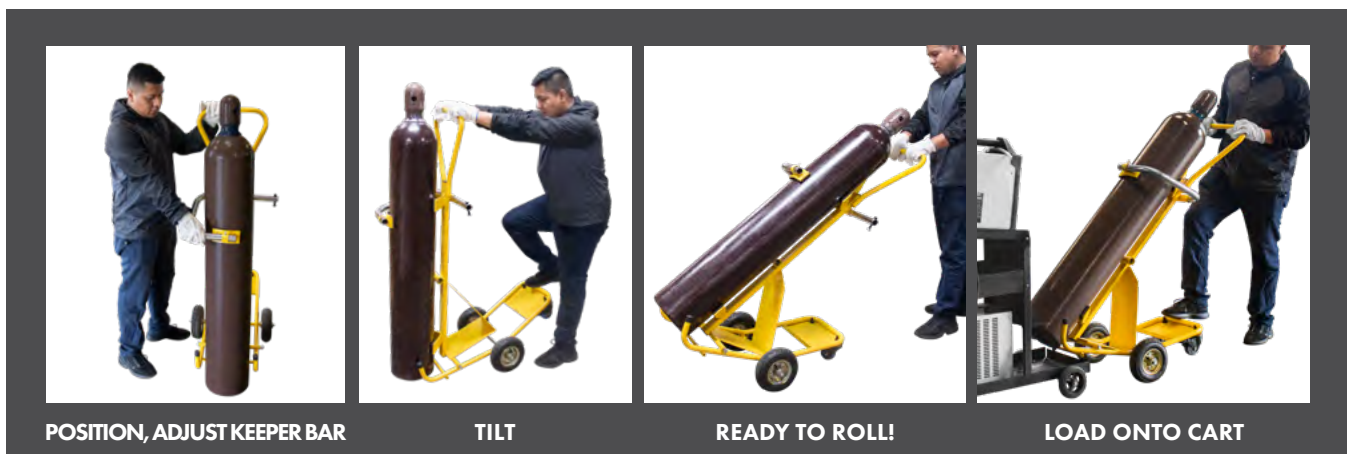


Product Specifications:

Rugged round steel tube welded construction for strength and durability, with powder coated finish.

Wheels: 8" / 200 mm pneumatic wheels + 3" / 75 mm locking wheels for mobility and storage.

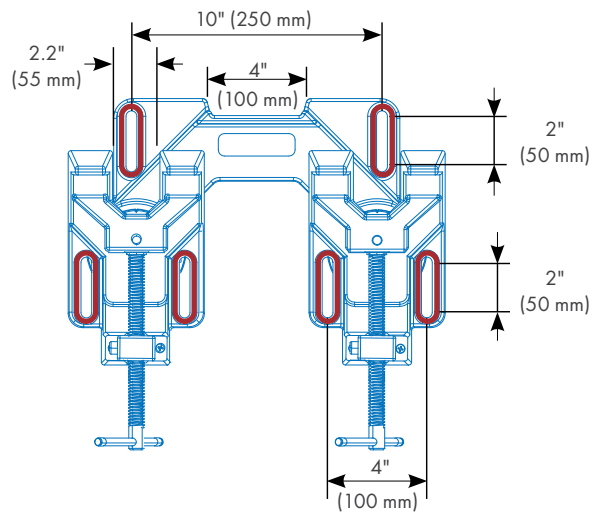
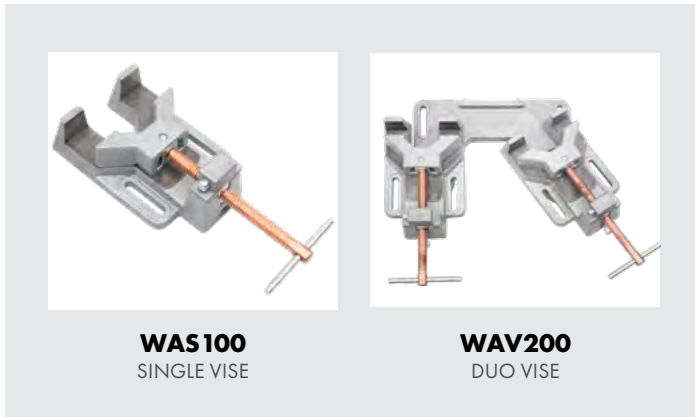
PART NO.	LOAD CAPACITY	FOR CYLINDER SIZE	NET WEIGHT
GCC210	400 lb 180 kg	8.5" ~ 9" 215 ~ 230 mm Dia.	54 lb 24.5 kg



2021 NEW PRODUCTS

WELDERS UNIVERSAL VISES

CLAMP STOCK OF DIFFERENT THICKNESSES AT MULTIPLE ANGLES.
 PATENTED QUICK ACTING BUTTON FOR FAST SETUP!



PART NO.	DESCRIPTION	WEIGHT
WAV200	Duo Vise	25.3 lb / 11.5 kg
WAS100	Single Vise	8.8 lb / 4 kg

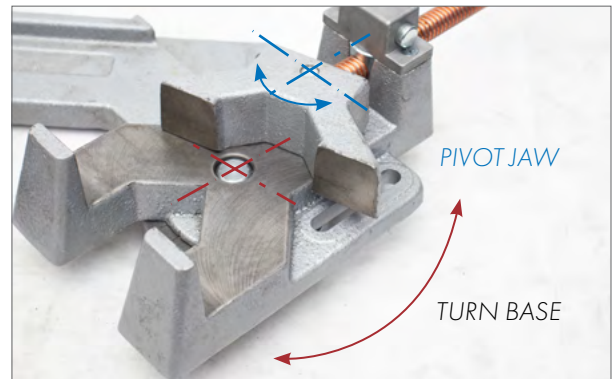
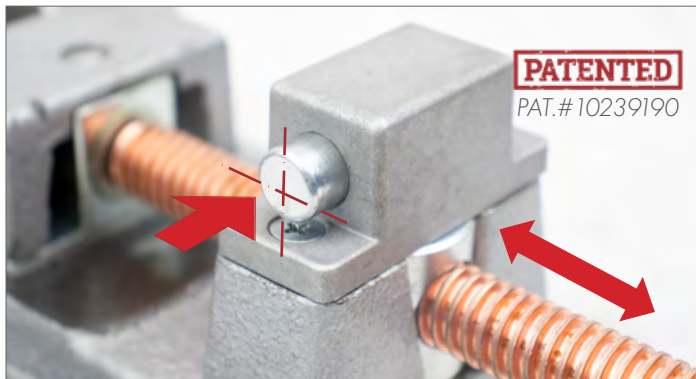
- Two long mounting slots on each vise + two slots on base. [Total six]
- Jaw Opening: 4" / 100 mm
- Jaw Height: 1-3/8" / 35 mm
- Material: Malleable Cast Iron



Clamp round and square tubing, angled and flat stock at 5° to 180°.

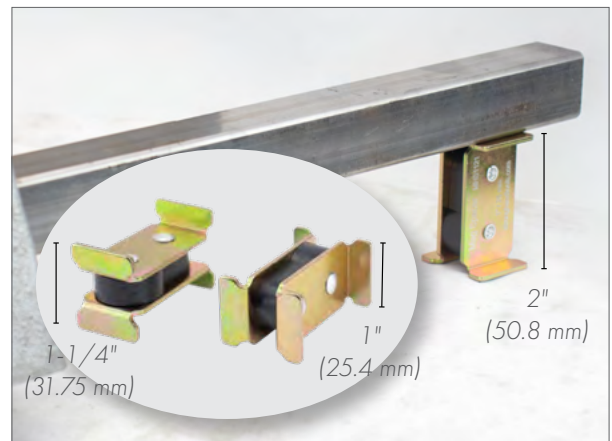
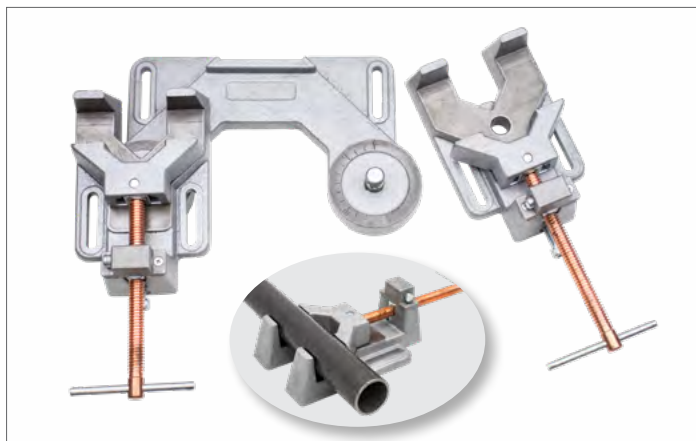
Copper plated screws with Quick Acting Buttons.

Individual Angle Clamps easily swivel on the fixture base.



Press the **Quick Acting Button** to allow the threaded screws to slide in and out for **fast setup**.
(Release the button to re-engage the threaded screw for tightening.)

Clamp at **Any Angle** by turning the individual clamps on the fixture base for a wide range of angle settings.



Vises may be removed from the base and used separately.

Use the Magnetic Blocks (included in WAV200) to support long stock.

2021 NEW PRODUCTS

MANIPULATOR AND MAGTAB HD

The manipulator uses two rotating axis and one tilting axis to position your work in the ideal spot. For best results, always position the center of gravity of the work piece in line with the two rotating axis to achieve low resistance repositioning.

- Access difficult joints without putting yourself in an awkward position
- Position the joint for fastest technique. Go from vertical up or overhead to a flat or downhill weld. Get the job finished with less mental and physical fatigue.
- Fast repositioning. No need to un-clamp.



Horizontal Rotary Axis



Vertical Rotary Axis



Spring loaded carbon brush grounds rotating plate to stationary grounding point.



Tilt Axis



Three Locking Positions - 0° and 30° on both sides.



Two large handles for quick and easy adjustment of rotary axis



Two casters for quick repositioning of manipulator.



Large leveling pads with wrench flats

PART NO.	H X L X W	TOP PLATE SIZE	CAPACITY	WEIGHT
TU52020	40" x 37" x 37" 1,000 x 940 x 950 mm	20" x 20" x 15/32" 508 x 508 x 12 mm	110 lb 50 kg	165 lb 75 kg

MAGTAB HD

MagTabs are the better, faster, and safer way to hold tabs / small parts in place for welding.

The enhanced MagTab HD has six replaceable magnets for **3X STRONGER** magnetic holding force than the Standard MagTab.

The Adjustable Magnetic V-Pad base adjusts for different shapes: round, flat, and angled metal surfaces. Hold tabs or any small metal pieces parallel or perpendicular to your structure for tack welding.

Dim: 4.5" x 2.6" x 2" / 115 x 65 x 50 mm



- **Stronger Magnetic Force**
- **Better Accuracy**

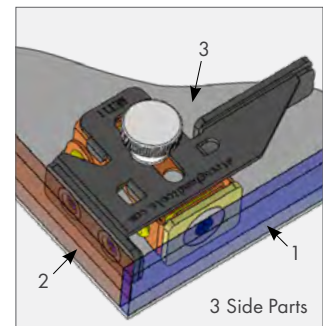
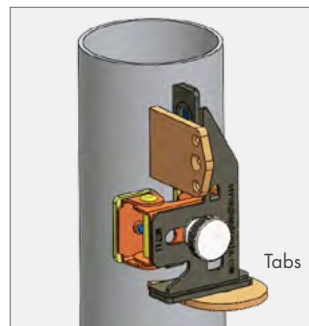
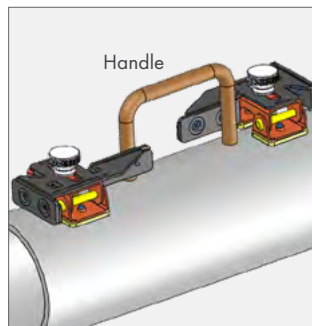
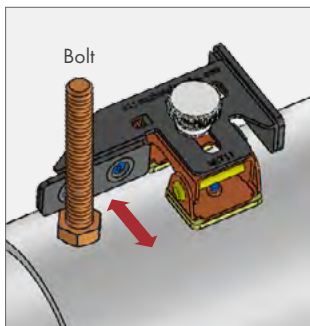
Knurled Knob provides comfortable and easy grip.



Slot on the MagTab bracket for workpiece alignment.

REPLACEMENT MAGNETS

Compatible with MagTab HD featuring replaceable magnets.



PART NO.	DESCRIPTION	WEIGHT
MET11	Magtab HD	0.6 lb / 0.3 kg
MRP8	Replacement Magnets, 4 + 2 pc.	0.1 lb / 0.03 kg
MET16	1x MET11 + 1x MRP8	0.7 lb / 0.3 kg

* Reference magnetic pull force from 22 ~ 44 lb. / 10 ~ 20 kg is based on flat surface with the two larger magnets. Must be used for tack welding only and removed before completing weld. Avoid prolonged exposure of magnetic products to heat sources of 175°F / 80°C and above.

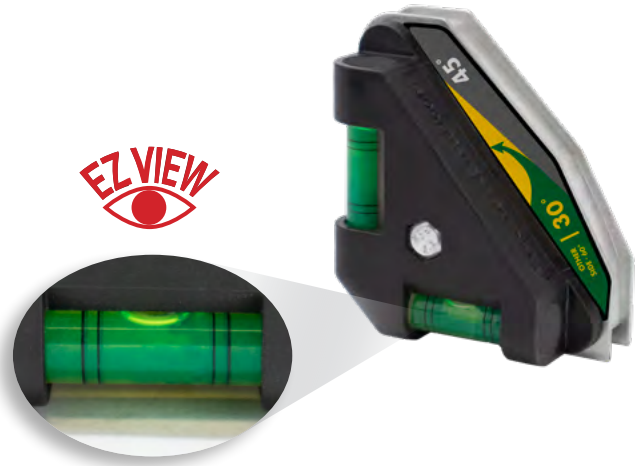
2021 NEW PRODUCTS

EZ VIEW CONDUIT LEVEL AND 3-AXIS LEVEL

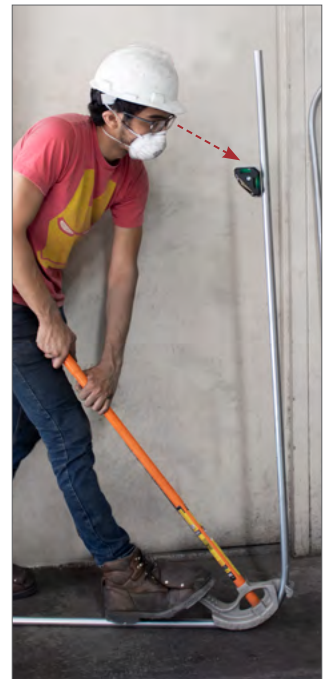
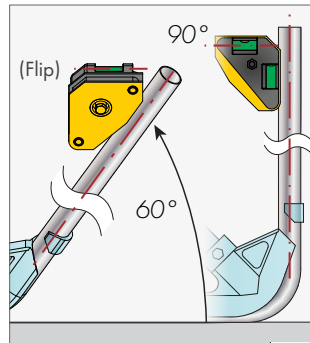
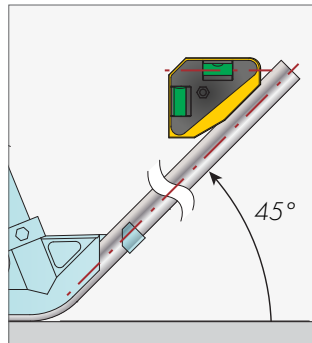
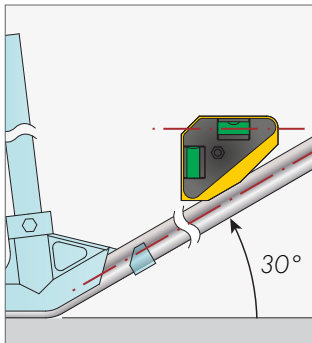
EZ VIEW CONDUIT LEVEL

A MAGNET BUILT WITH JUMBO VIALS

- **STRONG MAGNET** provides secure attachment on conduits or structural parts at fixed angles.
- Place at ANY point on CONDUIT for convenient readings!
- Two easy-to-read JUMBO high visibility vials for checking 30°/60°, 45° and 90°.
- Rugged construction.



PART NO.	ANGLE	DIMENSIONS	WEIGHT
LMC34679	30° / 60°, 45° and 90°	3.4" x 3" x 1.7" 86 x 75 x 43 mm	0.9 lb 0.4 kg



Vertical



Horizontal



Round

EZ VIEW 3-AXIS LEVEL

- Specially good for erecting round or square post and frame structure.
- Four EZ-View **BIG** vails, with part of the level body relieved for easy reading.
- Large Vail plug rotatable for easy viewing.
- Extended **GUIDE EDGE** - align level with square post, edges on structural elements and sheets.
- Convenient simultaneous check table top level in X-Y axis.

x11 LARGER MAGNETS

Strong rare-earth magnets on four sides, including on the V-side.



Guide Edge

Relief for easy read.

CNC machined for accuracy. Anodized aluminum body.

Relief for easy read.

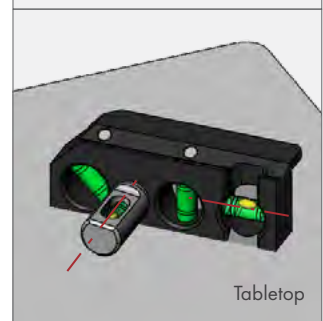
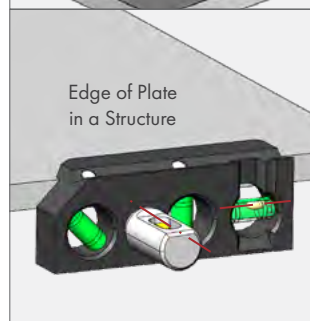
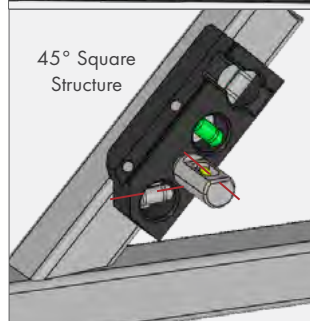
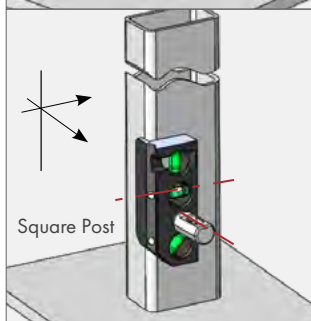
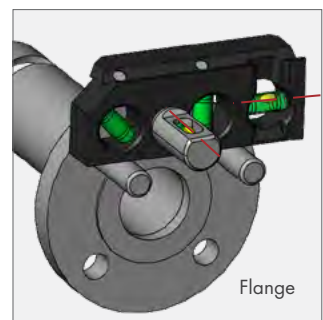
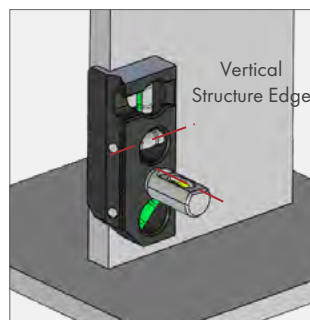
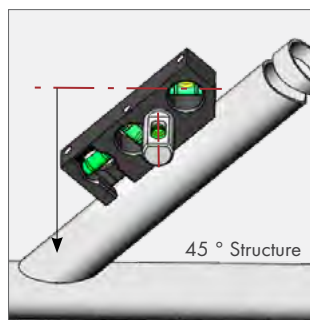
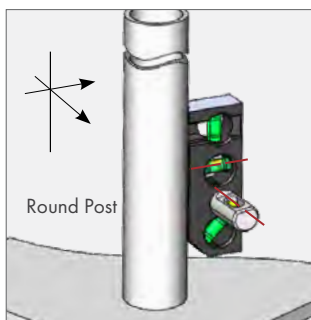


Vail plug stays with the level, hard to misplace.

2.2"

Rotate

PART NO.	DIMENSIONS	WEIGHT
LM4625	6" x 1.8" x 2.2" 152 x 46 x 56 mm	1.1 lb 0.5 kg

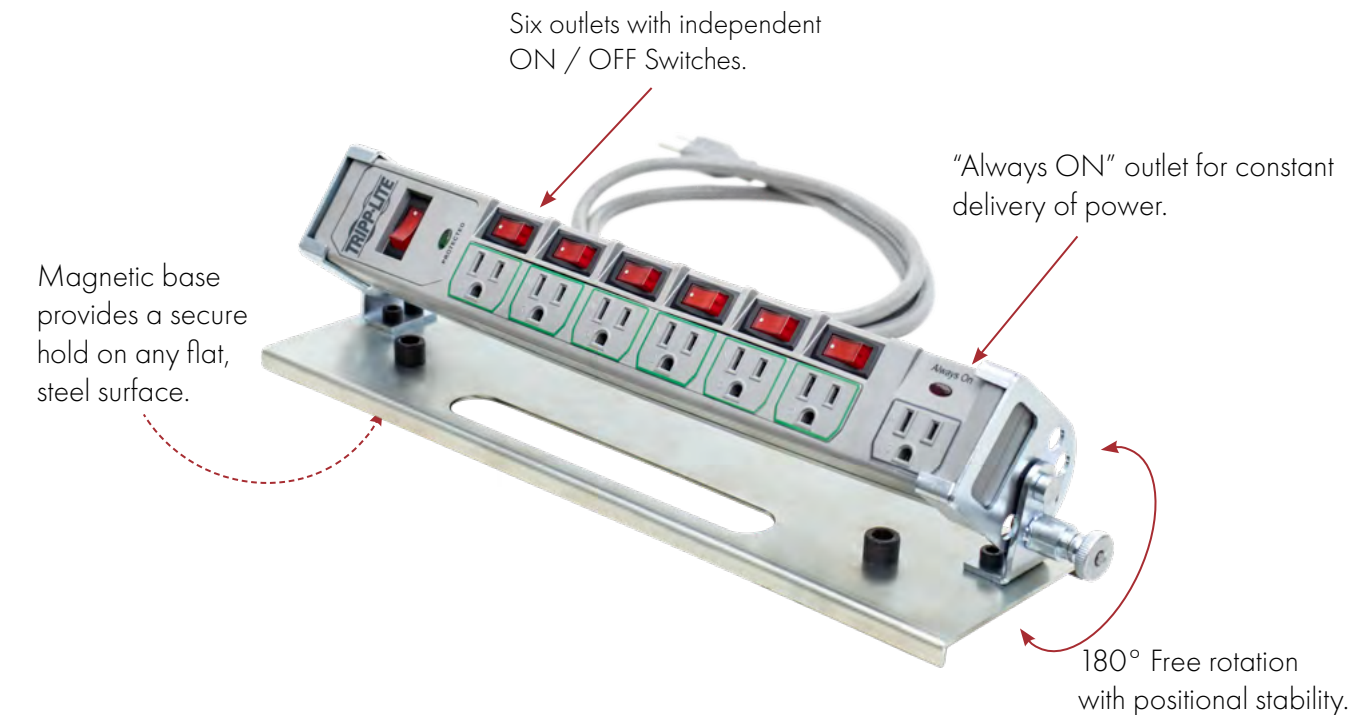


2021 NEW PRODUCTS

POWER STATION MULTI-OUTLET STRIP

POWER STATION MULTI-OUTLET STRIP WITH MAGNETIC MOUNTING PLATE

Featuring the: Tripp Lite 7-Outlet Surge Protector Power Strip with 6 foot cord



"Always ON"



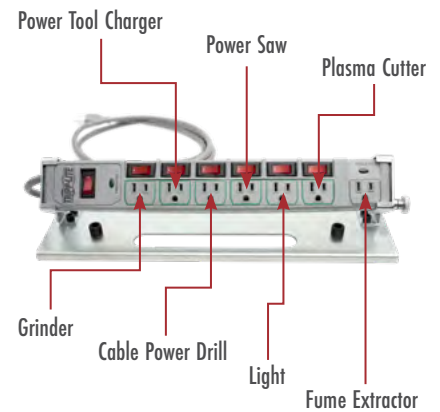
"Quick Pull Release Knob" provides free rotation of the Power Strip from 0° - 90°.



Large magnetic pads provide secure mounting.

PART NO.	L X W X H	CORD LENGTH	WEIGHT
APS160	16" x 4" x 4" / 406 x 100 x 100 mm	6 ft / 1.8 m	4.5 lb / 2 kg

- **'Protected' LED:** Confirms that surge protection is active.
- **AC Input Cord:** High-quality cord reaches distant outlets.
- **Always-On Outlet:** Powers a device in continuous use, like a wireless router.
- **Advanced Surge/Noise Protection (Internal):** Certified to meet strict UL standards.
- **Illuminated Main Switch:** Controls switched outlets, but not the always-on outlet.
- **Illuminated Outlet Switches:** Control each of the switched outlets.
- **Mounting Slots:** Mount to wall, desk, workbench or media cabinet.
- **High-Impact Housing:** Compact, durable and fire resistant.



Save valuable space and gain easy access to your Power Strip for a better organized work area.



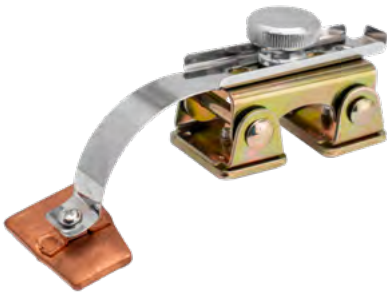
2021 NEW PRODUCTS

MAGNETIC CLAMPS & PANEL HOLDERS

HOLE PLUG MAGNET

THE HANDS-FREE TOOL FOR FAST, HIGH QUALITY HOLE WELDS!

- The pivoting magnetic v-pad base quickly mounts on curved steel panels.
- The spring-loaded arm makes it easy to just "place and weld."
- Long arm protects the magnetic base from heat damage.



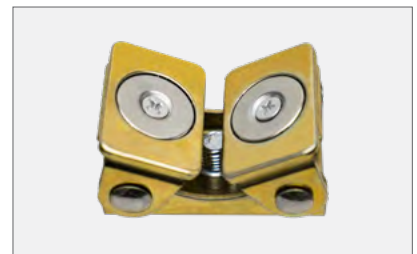
This handy, compact tool saves time and labor for efficient, clean welding of holes, joints, and seams in steel panels. Easy to use, even in tight, hard to reach spots.

The thick copper pad dissipates heat and won't stick to the weld. Get a precise, clean, higher quality flat weld with less panel distortion.

REPLACEMENT MAGNETS

FOR STRONG HAND TOOLS®
MAGNETIC CLAMPS

Compatible with products featuring 3/4" [20 mm] dia. replaceable magnets.



PART NO.	DESCRIPTION	DIMENSION	WEIGHT
AGK320	Hole Plug Magnet	5.5" x 1.6" x 1.8" / 140 x 41 x 46 mm	0.4 lb / 0.2 kg
MRP6	6 x Replaceable Magnets 6 x Flush Mount Screws	Dia. 0.75" x 0.1" / 20 x 25 mm	0.1 lb / 0.05 kg

*Must be used for tack welding only and removed before completing weld. Avoid prolonged exposure of magnetic products to heat sources of 175°F / 80°C and above.

MAGNETIC PANEL HOLDERS

- Quickly set up free-standing Acrylic or Plexiglass panels in any configuration for safety at welding stations or other work environments.
- Protect workers, materials, and equipment from the hazards of welding sparks, spatter, welding flash, gases, sun glare and wind.
- 5-1/2" H "clip style" Holders support panel thicknesses up to 0.32" [8 mm]. No tools required.
- Strong magnetic base for secure placement on any steel surface.
- Secure right angle setups with 2 pcs. Right Angle Fixtures (incl. in AWS120 only).
- Use additional Panel Brackets to partially or fully enclose the work area as needed.



AWS120



The Panel Holder's strong magnetic base mounts securely on any steel surface. *[In this application we placed steel plates beneath the Holders on the concrete floor.]*



Setup a protective panel wherever needed to protect workers, equipment, and materials from heat, sparks, and slag.



Create a safer work environment by easily setting up protective panels wherever needed, in the shop or out in the field.



Create a 90° panel setup with the Right Angle Brackets [2 pcs. incl. in AWS120 only]



5-1/2" H "clip style" Holders support panel thicknesses up to 0.32" [8 mm].

PART NO.	DESCRIPTION	WEIGHT
AWS100	Magnetic Panel Holder, Twin Pack	2 lb / 0.9 kg
AWS120	6x Magnetic Panel Holders + 2x Right Angle Brackets	5.5 lb / 2.5 kg

2021 NEW PRODUCTS

TIG FEEDER & STAND, TIG PART ORGANIZER

TIG FEEDER

Smoothly feed TIG wire for total control and accuracy, at the ideal distance, for higher quality welding, even with gloves on! Avoid filler wire waste.

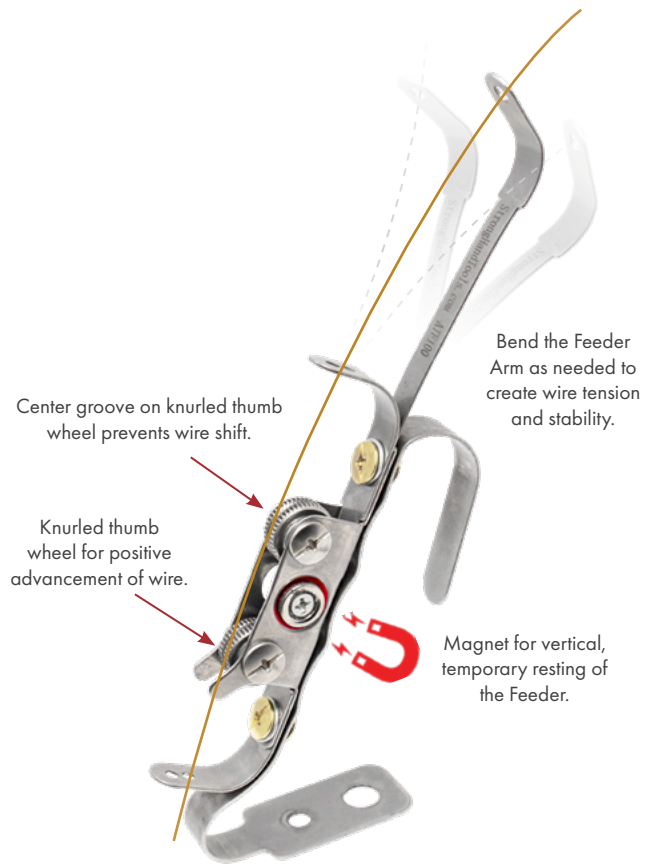
- Compact, lightweight Feeder rests securely, comfortably in your hand.
- Easily customizable to set wire tension and control.
- Reduce fatigue to help prevent carpal tunnel syndrome.
- Stainless Steel.



BEND THE FEEDER ARM AS NEEDED TO CREATE WIRE TENSION AND STABILITY.



CENTER GROOVE ON KNURLED THUMB WHEEL PREVENTS WIRE SHIFT.



TIG FEEDER STAND W/ MAGNETIC BASE

MOUNT THE TIG FEEDER ON THIS NEW ADJUSTABLE STAND TO CREATE A MODULAR FEEDER SYSTEM.

- Increase weld accuracy and reduce fatigue to better accommodate the demands of your production environment.
- Achieve the precision placement and greater accuracy not possible with the handheld method.
- Place the compact, universal Magnetic Base at any point on your steel work surface, even in tight spaces.
- Set the Stand at the ideal height and angle required for each job; Min. 3" / 75 mm, Max. 10" / 254 mm height adjustment.
- Mount the TIG Feeder, P/N ATF100 [sold separately] onto the pivoting head, position the adjustable 2-section arm as required, and lock into position by tightening the screws.



TIG PART ORGANIZER

STORE YOUR MOST FREQUENTLY USED TIG ACCESSORIES ON THE TIG PART ORGANIZER FOR EASY ACCESS.

- Create a more organized and efficient work area.
- Store major brand air cooled and water cooled TIG Accessories.
- Durable, easy to clean. Magnetically attaches to your steel work surface.
- A total of 25 cavities hold back caps, ceramic cups, glass cups, collets, and collet bodies.
- Convenient wire brush holder.
- 3 storage slots hold tungsten rods and rod remnants.



Slotted base for space-saving use with the ReadyRest TIG Rest, P/N MRT100 [sold separately]

PART NO.	DESCRIPTION	DIMENSION	WEIGHT
ATF100	TIG Feeder	7" x 3" x 1" / 175 x 80 x 25 mm	0.15 lb / 0.07 kg
ATT180	TIG Part Organizer	9" x 5" x 2" / 224 x 130 x 48 mm	0.65 lb / 0.3 kg
ATTF200	1 x TIG Feeder + 1 x TIG Part Organizer	9" x 5" x 2" / 224 x 130 x 48 mm	0.88 lb / 0.4 kg
MTH800	TIG Feeder Stand w/ Magnetic Base	8" x 3" x 2" / 195 x 66 x 56 mm	1.1 lb / 0.5 kg

2021 NEW PRODUCTS

CHISELS, HAMMER EXTENSIONS, VISES & NOTCHER ADAPTOR

SLIDE HAMMER / CHISEL EXTENSIONS
CHISELS



ASRX18
18" / 460 mm

Built-in Slide Hammer

Handly, Speedy, Much safer



ASRX48
40" / 1m

Extension Handle



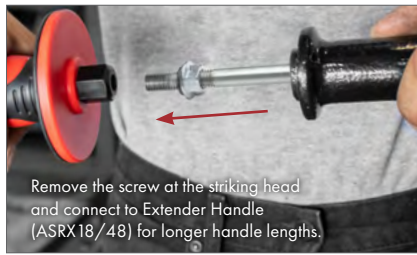
* **OPTIONAL** 7" wide Easy-Flip Magnetic Keeper (PN: XPV830) keeps long chisel in vertical position.



Hand Guard

Integrated hand guard to protect against glancing blows and missed strikes.

ASR SERIES CHISELS



The Chisels can be connected to the sliding hammer (ASRX18) for tabletop height use.

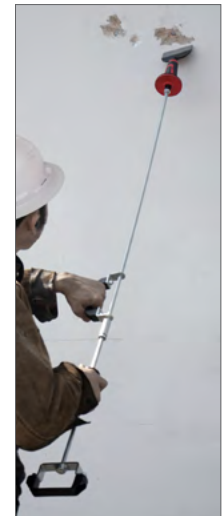
PART NO.	WEIGHT
ASRX18	2.6 lb / 1.2 kg



The built-in sliding hammer enables odd direction/position hammering.

Adding the extension and handle (ASRX48) extend its applications to scrapping/chiseling spots on the floor or on high location.

PART NO.	WEIGHT
ASRX48	2.0 lb / 0.9 kg



PART NO.	DESCRIPTION	WEIGHT
ASR100	Pointed Chisel	2.0 lb / 0.9 kg
ASR110	1" Flat Chisel	2.0 lb / 0.9 kg
ASR120	2" Flat Chisel	1.8 lb / 0.8 kg
ASR140	4" Flat Chisel	1.8 lb / 0.8 kg



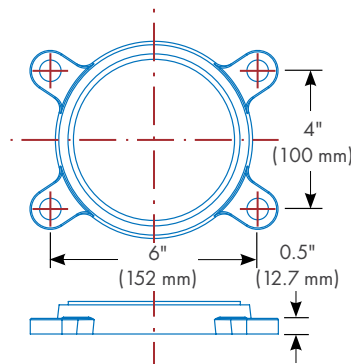
Detachable striking bolt provides larger strike surface.

FORGED VISE

This forged steel 4" Bench Vise features a 360° swivel base, large machined anvil surface, powder coated finish. Made of 90,000 PSI tensile strength forged steel. Swivel base is patterned to bolt directly to table.



Four Socket Shoulder Screws
(Part No. T831610) included.



PART NO.	JAW WIDTH	JAW OPENING	PIPE CAPACITY	THROAT DEPTH	CLAMPING FORCE	HANDLE DIA.	HANDLE LENGTH	MAX TORQUE	WEIGHT
TXV5-4-K	4"	5"	0.5" ~ 2"	2.9"	5,000 lb	0.435"	7.125"	118 ft/lb	22 lb
TXV6-4-K	100 mm	127 mm	12 ~ 50 mm	73 mm	2,200 kg	11 mm	180 mm	160 N·m	10 kg

NOTCHER ADAPTOR

The Adaptor is compatible with: the annular cutter with 3/4" mounting, minimum cutter size: Ø3/4".

For use with the BuildPro® Notcher, P/N ATN100. [Sold separately]



* Annular cutter not included.

PART NO.	DESCRIPTION	WEIGHT
ATNA20	Adaptor for min cutter size: Ø3/4"	0.2 lb / 0.1 kg

**PRECISION HORIZONTAL AND
VERTICAL FIXTURING WITH
UNLIMITED POSSIBILITIES**

PRO28 Heavy Duty Welding Table

PRO28

28 mm Modular Fixturing System

**THE PRO28 TABLE IS A FIVE FACE
FIXTURING SURFACE WITH
MODULAR AND **REVERSIBLE**
INDIVIDUAL PLATES.**

- Hardened, Heat Treated Surface for superior performance.
- Plate Thickness 25 ± 0.06 mm
- 28 mm dia. CNC Machined Tabletop Holes



*Proudly serving
the welding and
fabrication
industry for
over 35 years.*

- Each heavy duty table leg supports up to 2,000 kg (4,400 lb)

2x LIFE

REVERSE, re-position, and easily re-align the Self-Locating table plates with patented Bushings!

By customer demand, we are proud to offer the ONLY Heavy Duty Welding Table with the modular, reversible plate design. As part of our commitment to providing the welding community with options in Affordable Modular Fixturing, the New PRO28 System gives you unlimited possibilities in fixturing so you can improve current processes, and take on new and complex projects to expand and grow your business.

We'll help you create the ideal Modular Fixturing setup for your business: 800-989-5244. Visit Pro28Tables.com for information on the full selection of 28 mm Modular Welding Tables and Fixturing Kits.



CLAMPS

BALL LOCK BOLTS

LOCATING PINS

FASTENERS

RESTS



STOPS

ANGLE SQUARES

EXTENSION BLOCKS

CAST SQUARES



POSITION, CLAMP, and FIXTURE accurately for higher quality welding and fabrication.

For the most up-to-date information on New Product Releases, please visit our website at: www.StrongHandTools.com.



Contact Us:

800.989.5244 / 1.562.949.8625
www.stronghandtools.com
sales@stronghandtools.com
Santa Fe Springs, CA 90670 U.S.A.

© 2021 Strong Hand Tools.
All Rights Reserved.



* All product, product specifications and data are subject to change without notice to improve reliability, function, design or otherwise. Please check online for updated information and details.