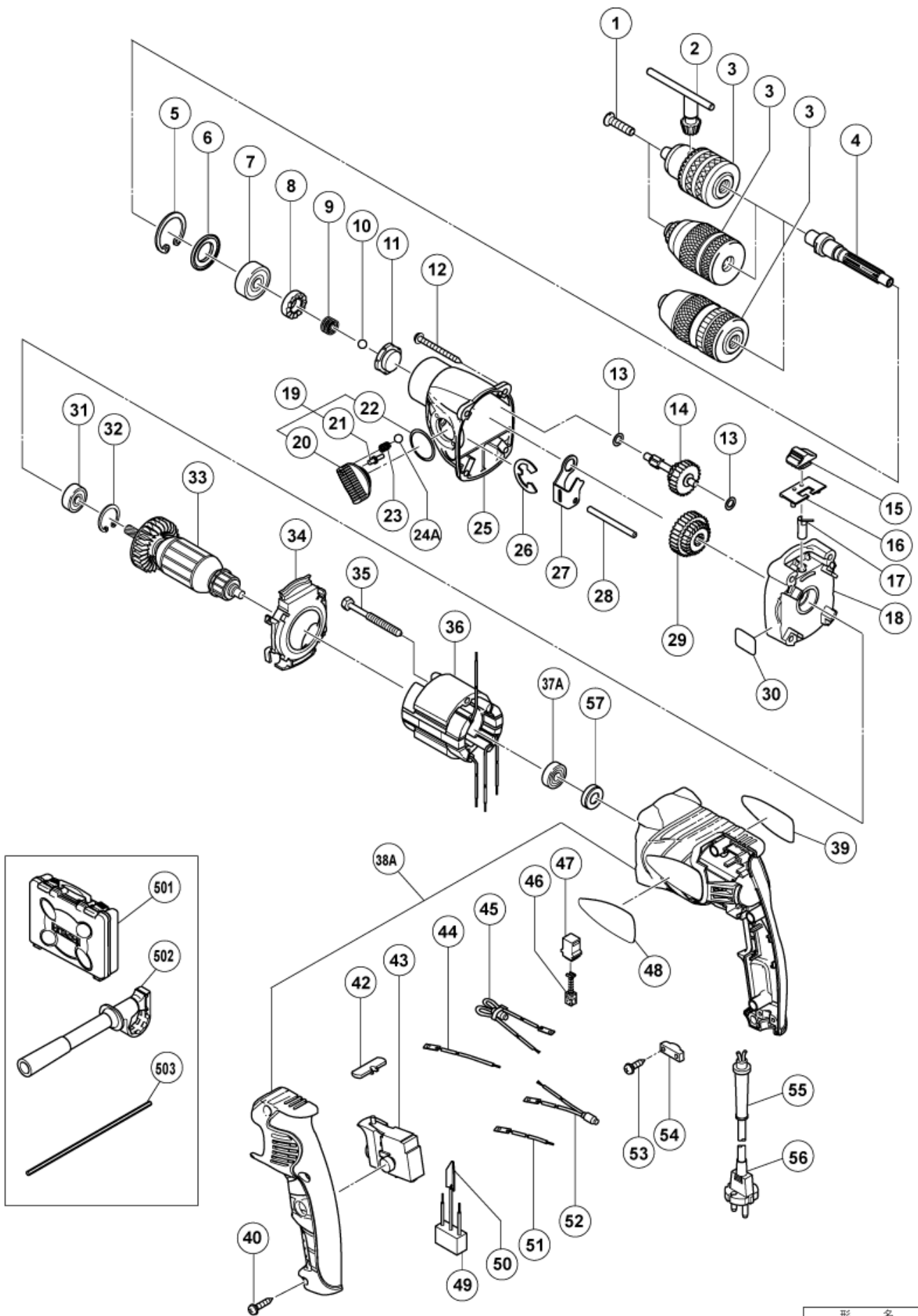


nÂ°	Artikel	Aantal gebruikt
1	995344 FLAT HD.SCREW M6X25 (A) (LEFT HAND) (NEW 744087)	1
2	987576 CHUCK WRENCH FOR 13VLB-D,13VLR-D	1
3	319546 DRILL CHUCK 13VLRE-N (W/O CHUCK WRENCH)	1
3	321814 DRILL CHUCK 13VLRB-D	1
4	322866 SPINDLE (A)	1
4	322857 SPINDLE (B)	1
5	939556 RETAINING RING FOR D35 HOLE (10 PCS)	1
6	322851 DUST SEAL	1
7	6202DD BALL BEARING 6202DDUCMPS2S (OLD 956937)	1
8	322850 RATCHET (A)	1
9	984101 SPRING (A) (OLD 984101Z)	1
10	959150 STEEL BALL D6.35 (10 PCS.)	1
11	322845 RATCHET (B)	1
12	322869 TAPPING SCREW D5X50 (W/FLANGE) BLACK	4
12	316321 TAPPING SCREW D5X45 (W/FLANGE)	4
13	322852 WASHER (B)	2
14	322858 SECOND PINION AND GEAR SET	1
14	322867 SECOND PINION AND GEAR SET (SLIP)	1
15	322841 CHANGE LEVER	1
16	322842 CHANGE COVER	1
17	322840 CHANGE SHAFT	1
18	322868 INNER COVER (A)	1
18	322859 INNER COVER (B)	1
19	322847 SHIFT LEVER ASS'Y (OLD 994385)	1
20	SHIFT LEVER	1
21	322848 SHIFT PIN	1
22	306353 O-RING (S-22)	1
23	981328 SPRING (H)	1
24A	335299 STEEL BALL D3.5 (10 PCS)	1
25	322844 GEAR COVER (A) ASS'Y	1
26	323048 RETAINING RING (E-TYPE) FOR D15 SHAFT	1
27	322849 SHIFT ARM	1
28	984104 PIN D5 (OLD 984104Z)	1
28	322860 PIN D5	1
29	322846 GEAR SET	1
30	LABEL(FOR SLIP CLUTCH)	1
31	608DDM BALL BEARING 608DDMC2EPS2S	1
32	939553 RETAINING RING FOR D22 HOLE (10 PCS) (OLD 879709Z)	1

nÂ°	Artikel	Aantal gebruikt
33	360652C ARMATURE 110 VOLT	1
33	360652U ARMATURE ASS'Y 120V	1
33	360652F ARMATURE 240V	1
33	360652E ARMATURE 230 VOLT	1
33	360781F ARMATURE 240V	1
34	322843 FAN GUIDE	1
35	961672 HEX.HD. TAPPING SCREW D4X50	2
36	340587F STATOR 240V	1
36	340587C STATOR 110 VOLT	1
36	340587D STATOR 120V	1
36	340587E STATOR 230 VOLT	1
37A	698VVC BALL BEARING 698VVC2	1
38A	331663 HOUSING HANDLE COVER SET (OLD 322861+322862)	1
39	NAME PLATE	1
40	301653 TAPPING SCREW (W/FLANGE) D4X20 (BLACK)	3
42	322853 PUSHING BUTTON	1
43	322854 SWITCH (1P PILLAR TYPE)	1
43	327061 SWITCH (1P PILLAR TYPE)	1
44	321630 INTERNAL WIRE (BROWN) 100L	1
45	322518 CHOKE COIL ASS'Y BROWN 110 VOLT	1
45	322517 CHOKE COIL ASS'Y BROWN 220-230 VOLT	1
46	999041 CARBON BRUSH (1 PAIR)	2
47	955203 BRUSH HOLDER	2
48	HITACHI LABEL	1
49	994273 NOISE SUPPRESSOR	1
50	992635 EARTH TERMINAL	1
51	321631 INTERNAL WIRE BLUE 55L	1
52	321634 CHOKE COIL (BLUE) 110V-240V	1
52	322519 CHOKE COIL ASS'Y BLEU 110 VOLT	1
53	984750 TAPPING SCREW (W/FLANGE) D4X16	2
54	937631 CORD CLIP	1
55	953327 CORD ARMOR D8.8	1
56	500247Z CORD (NEW 714500)	1
56	500439Z CORD FOR AUS (OLD 500226Z/500411Z)	1
56	500435Z CORD 2,5M 2 X 1.0 H05VV-F W/PLUG 13A/250V GBR	1
56	500240Z CORD FOR USA/CAN	1
56	500461Z CORD 3M 2 X 1,0 H05VV-F W/PLUG 16A CEE FORM 2P+E FOR GBR	1
56	500423Z @ CORD 2,5M 2 X 1.0 H05VV-F W/PLUG 13A/250V (OLD 500223Z)	1

nÂ°	Artikel	Aantal gebruikt
56	500447Z CORD 2,5M 2 X 1.0 H05VV-F (OLD 500395Z)	1
56	500409Z CORD	1
57	309929 RUBBER BUSHING	1
501	323130 CASE	1
502	323050 SIDE HANDLE	1
503	303709 DEPTH GAUGE	1
608	971670 DRILL BIT (B) D16.0X160	1



REV.3

形名
DV20VB2