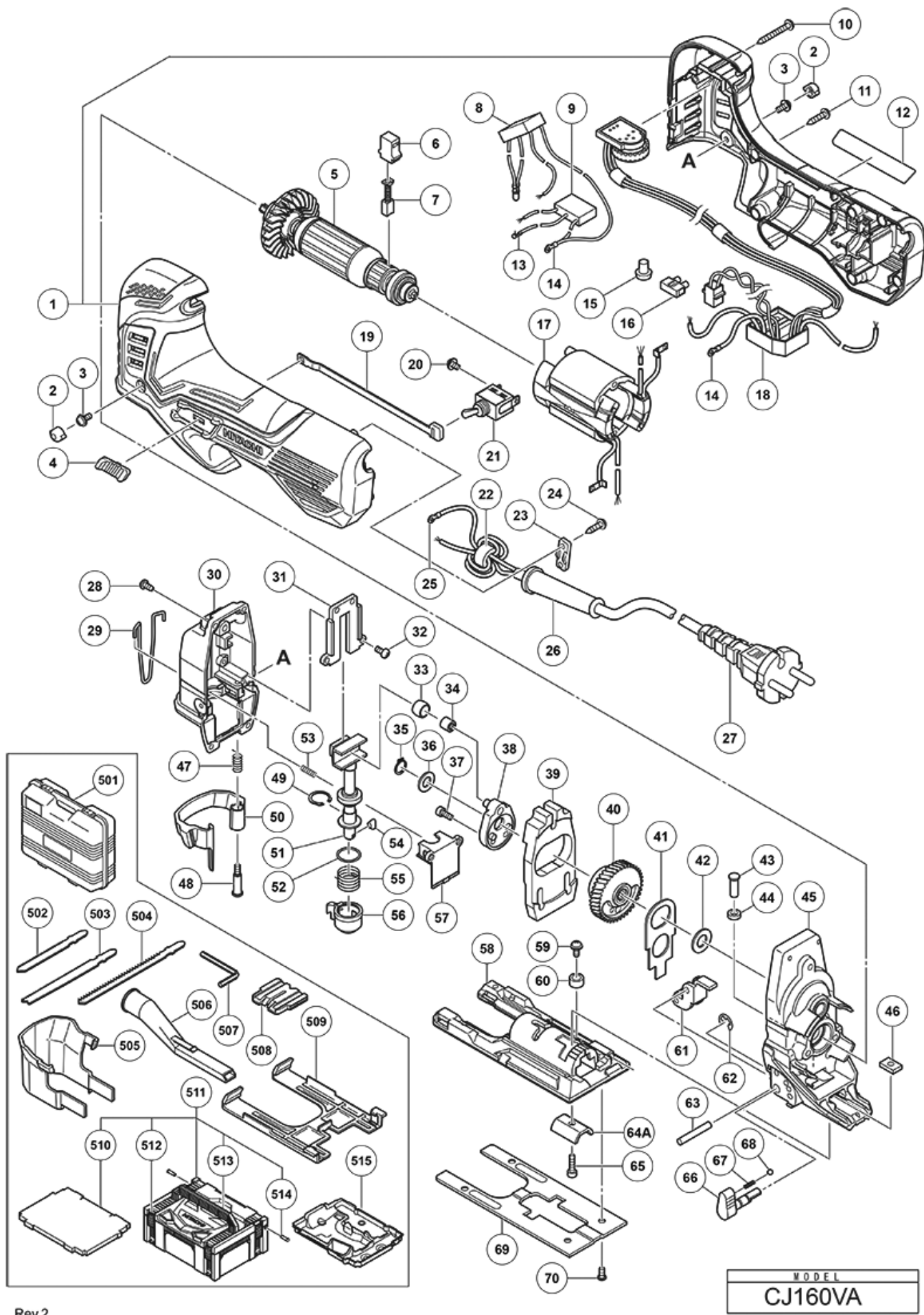


nÂ°	Artikel	Aantal gebruikt
*27	500247Z CORD (NEW 714500)	1
*18	339028 CONTROLLER 110-120 VOLT NEW	1
*27	500234Z CORD 5M 2 X 1.0 FOR INA,SUR,MLT H05VV-F (NEW 714500)	1
*27	500240Z CORD FOR USA/CAN	1
*27	500439Z CORD FOR AUS (OLD 500226Z/500411Z)	1
*18	339029 CONTROLLER 220-240 VOLT NEW	1
*17	340915D STATOR 120V-127V	1
*5	361014U ARMATURE SET 120V	1
*8	339030 LED (A) 110-120 VOLT NEW	1
*8	339031 LED (A) 220-240 VOLT NEW	1
*17	340915E STATOR 220-230 VOLT NEW	1
*5	361014E ARMATURE SET 220-240 VOLT NEW	1
1	339022 HOUSING SET NEW	1
2	339294 RUBBER COVER	2
3	321577 SEAL LOCK SCREW M4X10 (W/WASHER)	2
4	339024 SLIDE KNOB NEW	1
6	955203 BRUSH HOLDER	2
7	999041 CARBON BRUSH (1 PAIR)	2
9	994273 NOISE SUPPRESSOR	1
10	306664 TAPPING SCREW D4X40 W/FLANGE	1
11	301653 TAPPING SCREW (W/FLANGE) D4X20 (BLACK)	6
12	NAME PLATE	1
13	302488 EARTH TERMINAL	1
14	960356 TERMINAL (A) M3.5 (10 PCS)	2
15	959140 CONNECTOR 50091 (10 PCS.)	1
16	938307 PILLAR TERMINAL	1
19	339023 SLIDE BAR NEW	1
20	305499 MACHINE SCREW (W/WASHER) M3,5X6	2
21	330698 SNAP SWITCH NEW	1
22	334379 FERRITE CORE	1
23	960266 CORD CLIP	1
24	984750 TAPPING SCREW (W/FLANGE) D4X16	2
25	980063 TERMINAL	1
26	953327 CORD ARMOR D8.8	1
28	949217 MACHINE SCREW M4X12 (10 PCS)	4
29	339016 GUIDE BAR NEW	1
30	339010 UPPER COVER NEW	1
31	339009 GUIDE PLATE NEW	1

nÂ°	Artikel	Aantal gebruikt
32	326573 SEAL LOCK SCREW M4X10	4
33	339007 CONNECTING PIECE	1
34	940917 NEEDLE BEARING NTN K6X9X8T2	1
35	940079 RETAINING RING FOR D8 SHAFT	1
36	963351 WASHER (B)	1
37	983162 SEAL LOCK HEX. SOCKET HD. BOLT M4X12	2
38	339285 WEIGHT HOLDER	1
39	339000 BALANCE WEIGHT NEW	1
40	338993 GEAR NEW	1
41	338999 ORBITAL CAM NEW	1
42	957540 WASHER (A)	1
43	339019 ORBITAL PIN NEW	1
44	305740 FELT	1
45	338989 GEAR COVER NEW	1
46	332425 PLATE NUT	1
47	339015 LEVER SPRING NEW	1
48	339014 LEVER BOLT NEW	1
49	339296 RETAINING RING D18	1
50	339013 LEVER NEW	1
51	339002 PLUNGER NEW FEB	1
52	311814 O-RING (P-15)	1
53	339001 SPRING NEW	1
54	339004 HOLDER PIN NEW	1
55	339005 HOLDER SPRING NEW	1
56	339282 HOLDER COVER	1
57	339006 PLUNGER COVER NEW	1
58	339011 BASE NEW NOV	1
59	949213 MACHINE SCREW M4X5 (10 PCS)	1
60	321576 RUBBER BUSHING	1
61	339297 ROLLER HOLDER	1
62	673489 RETAINING RING (E-TYPE)	1
63	338990 NEEDLE ROLLER NEW	1
64A	339663 BASE LOCKER NEW	1
65	949658 HEX.SOCKET HD.BOLT M5X18 (10 PCS)	1
66	338992 CHANGE KNOB NEW	1
67	982454 SPRING (C)	1
68	335297 STEEL BALL 5/32 (10 PCS)	1
69	339012 BASE PLATE NEW	1

nÂ°	Artikel	Aantal gebruikt
70	321996 SPECIAL BOLT	4
501	339017 PLASTIC CARRYING CASE NEW	1
502	JIG SAW BLADES NO.42	1
503	JIG SAW BLADES NO.123X	1
504	879357 JIG SAW BLADES NO.41 (5 PCS.)	1
505	338996 CHIP COVER NEW OCT	1
506	321591 DUST COLLECTOR	1
507	944458 HEX. BAR WRENCH 4MM	1
508	338997 SPLINTER GUARD NEW	1
509	339018 SUB BASE NEW	1
510	339281 CUSHION (C)	1
511	402539 STACKABLE CASE HSC II INCL FOAM (OLD 40025011)	1
512	336472 LATCH	4
513	336473 HANDLE (HSC) NEW	1
514	336474 HINGE	2
515	337740 INNER TRAY	1
601	321593 GUIDE	1
602	325149 GREASE (MOLUB-ALLOY NO.777-1) 75G	1
603	309922 GREASE FOR IMPACT DRIVER (500G)	1
604	930035 GREASE (SEP-3A) (100G) (NEW 714831)	1
605	879336 JIG SAW BLADES NO.11 (5 PCS.)	1
606	879337 JIG SAW BLADES NO.12 (5 PCS.)	1
607	879338 JIG SAW BLADES NO.15 (5 PCS.)	1
608	879339 JIG SAW BLADES NO.16 (5 PCS.)	1
609	879340 JIG SAW BLADES NO.21 (5 PCS.)	1
610	879341 JIG SAW BLADES NO.22 (5 PCS.)	1
611	963400 JIG SAW BLADES NO.97 FOR STAINLESS(5PCS)	1
612	321878 JIG SAW BLADES (LONG) 185L (3PCS.)	1



Rev.2