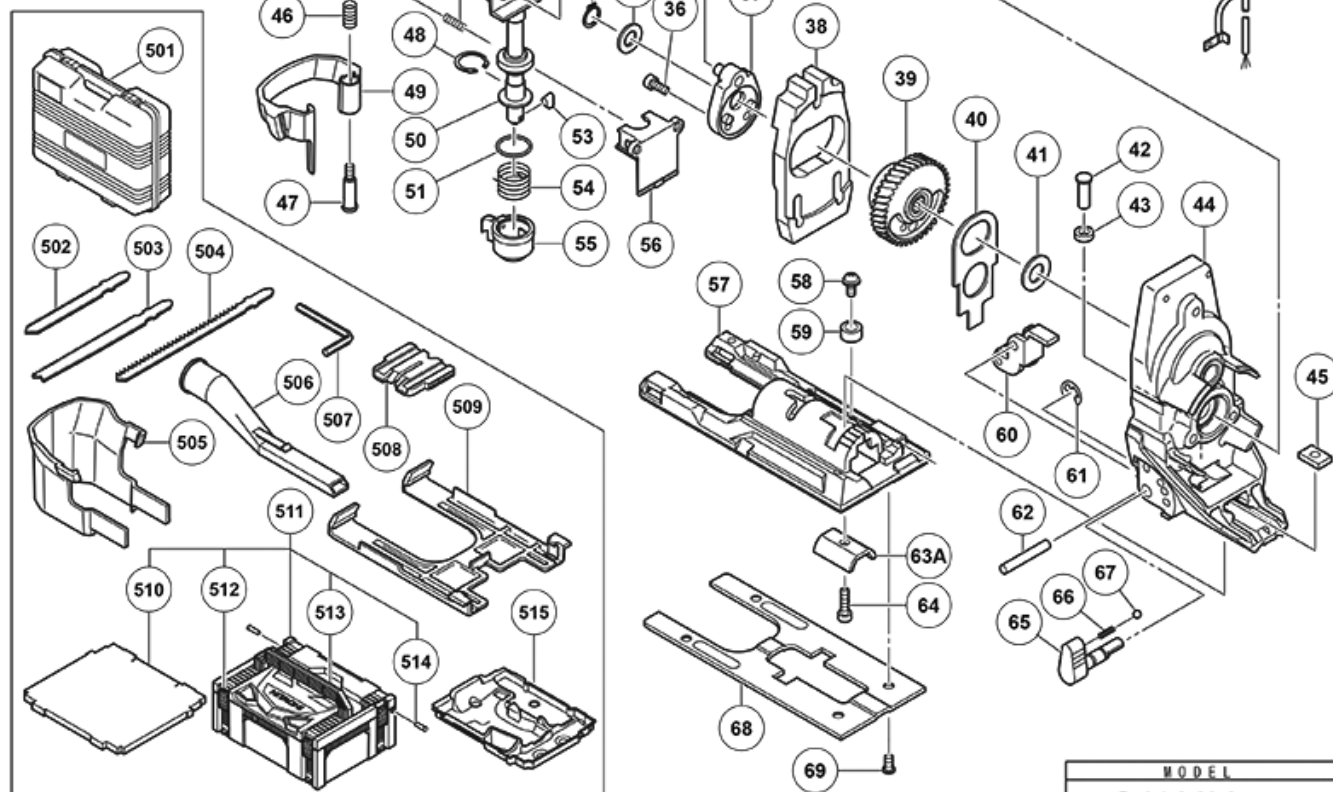
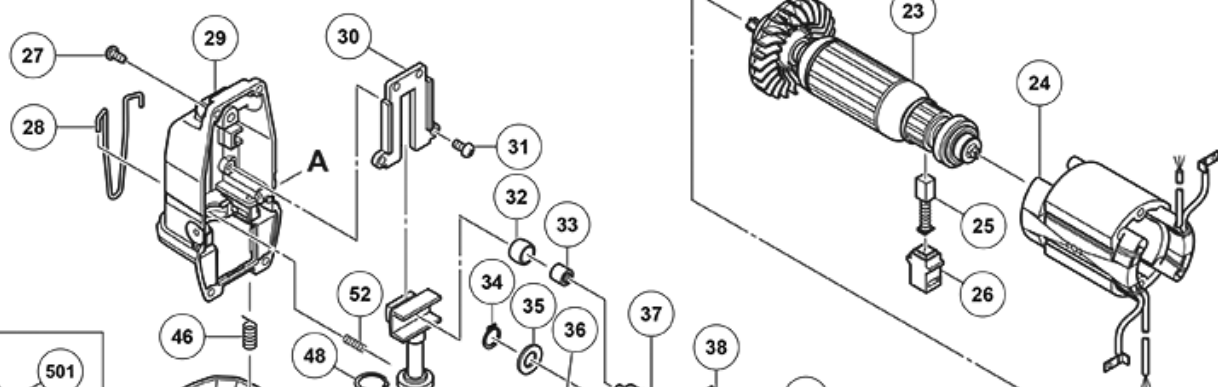
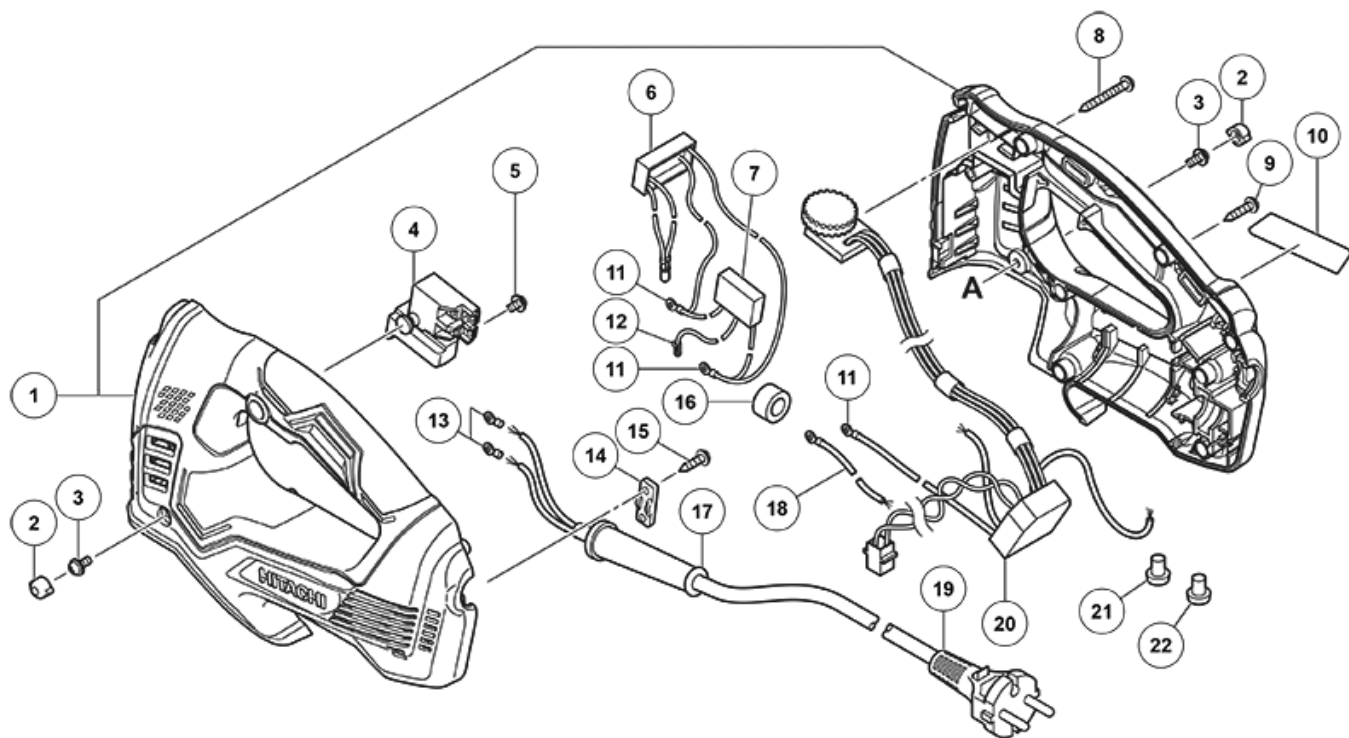


nÂ°	Artikel	Aantal gebruikt
*19	500450Z CORD 230 VOLT GBR	1
*20	338984 CONTROLLER 110-120 VOLT NEW	1
*19	500234Z CORD 5M 2 X 1.0 FOR INA,SUR,MLT H05VV-F (NEW 714500)	1
*19	500455Z CORD	1
*19	500423Z @ CORD 2,5M 2 X 1.0 H05VV-F W/PLUG 13A/250V (OLD 500223Z)	1
*20	338985 CONTROLLER 220-240 VOLT NEW	1
*23	361014U ARMATURE SET 120V	1
*24	340915D STATOR 120V-127V	1
*24	340915C STATOR 110V	1
*24	340915E STATOR 220-230 VOLT NEW	1
*23	361014E ARMATURE SET 220-240 VOLT NEW	1
*23	361014C ARMATURE SET 110V	1
	STANDARD ACCESSORIES	0
*19	323974 CORD	1
*16	334379 FERRITE CORE	0
*17	938051 CORD ARMOR D10.1	1
*6	338987 LED (A) 110-120 VOLT NEW	1
*6	338988 LED (A) 220-240 VOLT NEW	1
	OPTIONAL ACCESSORIES	0
*19	500439Z CORD FOR AUS (OLD 500226Z/500411Z)	1
*17	953327 CORD ARMOR D8.8	1
*19	500461Z CORD 3M 2 X 1,0 H05VV-F W/PLUG 16A CEE FORM 2P+E FOR GBR	1
*19	500240Z CORD FOR USA/CAN	1
*19	500247Z CORD (NEW 714500)	1
*18	339283 INTERNAL WIRE L300	1
*18	339295 INTERNAL WIRE L230	1
1	338998 HOUSING SET NEW	1
2	339294 RUBBER COVER	2
3	321577 SEAL LOCK SCREW M4X10 (W/WASHER)	2
4	339021 TRIGGER SWITCH (2P SCREW TYPE) W/LOCK NEW	1
5	305499 MACHINE SCREW (W/WASHER) M3,5X6	4
7	994273 NOISE SUPPRESSOR	1
8	306664 TAPPING SCREW D4X40 W/FLANGE	1
9	301653 TAPPING SCREW (W/FLANGE) D4X20 (BLACK)	7
10	NAME PLATE	1
11	960356 TERMINAL (A) M3.5 (10 PCS)	3
12	302488 EARTH TERMINAL	1
13	980063 TERMINAL	2

nÂ°	Artikel	Aantal gebruikt
14	960266 CORD CLIP	1
15	984750 TAPPING SCREW (W/FLANGE) D4X16	2
21	959140 CONNECTOR 50091 (10 PCS.)	1
22	959141 CONNECTOR 50092 (10 PCS) (OLD 939558)	1
25	999041 CARBON BRUSH (1 PAIR)	2
26	955203 BRUSH HOLDER	2
27	949217 MACHINE SCREW M4X12 (10 PCS)	4
28	339016 GUIDE BAR NEW	1
29	339010 UPPER COVER NEW	1
30	339009 GUIDE PLATE NEW	1
31	326573 SEAL LOCK SCREW M4X10	4
32	339007 CONNECTING PIECE	1
33	940917 NEEDLE BEARING NTN K6X9X8T2	1
34	940079 RETAINING RING FOR D8 SHAFT	1
35	963351 WASHER (B)	1
36	983162 SEAL LOCK HEX. SOCKET HD. BOLT M4X12	2
37	339285 WEIGHT HOLDER	1
38	339000 BALANCE WEIGHT NEW	1
39	338993 GEAR NEW	1
40	338999 ORBITAL CAM NEW	1
41	957540 WASHER (A)	1
42	339019 ORBITAL PIN NEW	1
43	305740 FELT	1
44	338989 GEAR COVER NEW	1
45	332425 PLATE NUT	1
46	339015 LEVER SPRING NEW	1
47	339014 LEVER BOLT NEW	1
48	339296 RETAINING RING D18	1
49	339013 LEVER NEW	1
50	339002 PLUNGER NEW FEB	1
51	311814 O-RING (P-15)	1
52	339001 SPRING NEW	1
53	339004 HOLDER PIN NEW	1
54	339005 HOLDER SPRING NEW	1
55	339282 HOLDER COVER	1
56	339006 PLUNGER COVER NEW	1
57	339011 BASE NEW NOV	1
58	949213 MACHINE SCREW M4X5 (10 PCS)	1

nÂ°	Artikel	Aantal gebruikt
59	321576 RUBBER BUSHING	1
60	339297 ROLLER HOLDER	1
61	673489 RETAINING RING (E-TYPE)	1
62	338990 NEEDLE ROLLER NEW	1
63A	339663 BASE LOCKER NEW	1
64	949658 HEX.SOCKET HD.BOLT M5X18 (10 PCS)	1
65	338992 CHANGE KNOB NEW	1
66	982454 SPRING (C)	1
67	335297 STEEL BALL 5/32 (10 PCS)	1
68	339012 BASE PLATE NEW	1
69	321996 SPECIAL BOLT	4
501	339017 PLASTIC CARRYING CASE NEW	1
502	JIG SAW BLADES NO.42	1
503	JIG SAW BLADES NO.123X	1
504	879357 JIG SAW BLADES NO.41 (5 PCS.)	1
505	338996 CHIP COVER NEW OCT	1
506	321591 DUST COLLECTOR	1
507	944458 HEX. BAR WRENCH 4MM	1
508	338997 SPLINTER GUARD NEW	1
509	339018 SUB BASE NEW	1
510	339281 CUSHION (C)	1
511	402539 STACKABLE CASE HSC II INCL FOAM (OLD 40025011)	1
512	336472 LATCH	4
513	336473 HANDLE (HSC) NEW	1
514	336474 HINGE	2
515	337740 INNER TRAY	1
601	321593 GUIDE	1
602	325149 GREASE (MOLUB-ALLOY NO.777-1) 75G	1
603	309922 GREASE FOR IMPACT DRIVER (500G)	1
604	930035 GREASE (SEP-3A) (100G) (NEW 714831)	1
605	879336 JIG SAW BLADES NO.11 (5 PCS.)	1
606	879337 JIG SAW BLADES NO.12 (5 PCS.)	1
607	879338 JIG SAW BLADES NO.15 (5 PCS.)	1
608	879339 JIG SAW BLADES NO.16 (5 PCS.)	1
609	879340 JIG SAW BLADES NO.21 (5 PCS.)	1
610	879341 JIG SAW BLADES NO.22 (5 PCS.)	1
611	963400 JIG SAW BLADES NO.97 FOR STAINLESS(5PCS)	1
612	321878 JIG SAW BLADES (LONG) 185L (3PCS.)	1



MODEL
CJ160V

Rev.2