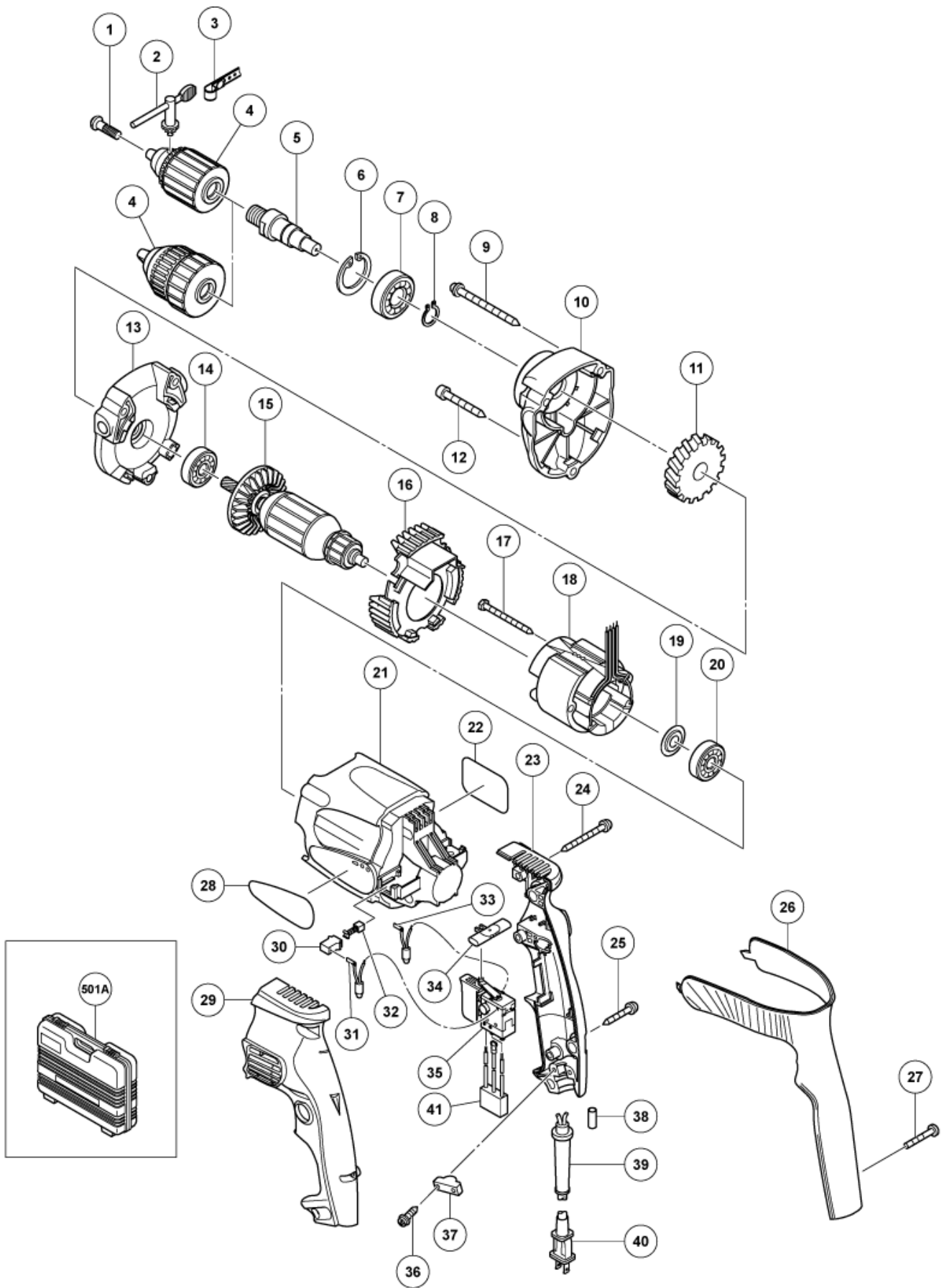


| nÂ° | Artikel | Aantal gebruikt |
|-----|--|-----------------|
| 1 | 311959 SPECIAL SCREW M6X23 (LEFT HAND) | 1 |
| 2 | 319529 CHUCK WRENCH 10VLR-J | 1 |
| 3 | 950288 VINYL BAND | 1 |
| 4 | 319342 DRILL CHUCK 10VLR-J | 1 |
| 4 | 319343 DRILL CHUCK 10VLRD-N (W/O CHUCK WRENCH) | 1 |
| 5 | 319335 SPINDLE (B) | 1 |
| 6 | 948001 RETAINING RING D32 HOLE | 1 |
| 7 | 6002VV BALL BEARING 6002VVCMP2L | 1 |
| 8 | 939544 RETAINING RING FOR D15 SHAFT (10 PCS) | 1 |
| 9 | 317449 TAPPING SCREW D5X50 W/FLANGE | 2 |
| 10 | 319334 GEAR COVER (B) | 1 |
| 11 | 319336 GEAR | 1 |
| 12 | 316458 TAPPING SCREW D5X40 (BLACK) | 1 |
| 13 | 319333 INNER COVER | 1 |
| 14 | 608DDM BALL BEARING 608DDMC2EPS2S | 1 |
| 15 | 360542E ARMATURE 220-230 VOLT | 1 |
| 15 | 360542U ARMATURE ASS'Y 120 VOLT | 1 |
| 16 | 319329 FAN GUIDE | 1 |
| 17 | 981421 HEX.HD. TAPPING SCREW D4X55 | 2 |
| 18 | 340486D STATOR 110 VOLT | 1 |
| 18 | 340504E STATOR 230-240 VOLT | 1 |
| 18 | 340486C STATOR 120 VOLT | 1 |
| 19 | 982631 WASHER (A) | 1 |
| 20 | 608VVM BALL BEARING 608VVC2PS2L | 1 |
| 21 | 319328 HOUSING SET (A+B) | 1 |
| 22 | NAME PLATE | 1 |
| 23 | 319331 HANDLE (B) | 1 |
| 24 | 303694 TAPPING SCREW D4X35 (W/FLANGE) BLACK | 2 |
| 25 | 301653 TAPPING SCREW (W/FLANGE) D4X20 (BLACK) | 1 |
| 26 | 319332 GRIP COVER | 1 |
| 27 | 319337 SCREW (PLASTIC TIE) D4X25 | 2 |
| 28 | HITACHI LABEL | 1 |
| 29 | 319330 HANDLE (A) | 1 |
| 30 | 955203 BRUSH HOLDER | 2 |
| 31 | 320197 CHOKE COIL | 1 |
| 31 | 320204 @ CHOKE COIL | 1 |
| 31 | 319638 @ INTERNAL WIRE BLUE 72L | 1 |
| 32 | 999041 CARBON BRUSH (1 PAIR) | 2 |

| nÂ° | Artikel | Aantal gebruikt |
|------|--|-----------------|
| 33 | 320196 CHOKE COIL | 1 |
| 33 | 320203 CHOKE COIL (BROWN) 110 VOLT | 1 |
| 33 | 319637 @ INTERNAL WIRE BROWN 72L | 1 |
| 34 | 316166 PUSHING BUTTON | 1 |
| 35 | 319339 SWITCH (1P SCREW TYPE) W/LOCK 110 VOLT | 1 |
| 35 | 320195 SWITCH W/LOCK 1P SCREW TYPE | 1 |
| 36 | 984750 TAPPING SCREW (W/FLANGE) D4X16 | 2 |
| 37 | 937631 CORD CLIP | 1 |
| 38 | 981373 TUBE (D) | 2 |
| 39 | 953327 CORD ARMOR D8.8 | 1 |
| 40 | 500409Z CORD | 1 |
| 40 | 500240Z CORD FOR USA/CAN | 1 |
| 40 | 500447Z CORD 2,5M 2 X 1.0 H05VV-F (OLD 500395Z) | 1 |
| 40 | 500247Z CORD (NEW 714500) | 1 |
| 40 | 500439Z CORD FOR AUS (OLD 500226Z/500411Z) | 1 |
| 40 | 500435Z CORD 2,5M 2 X 1.0 H05VV-F W/PLUG 13A/250V GBR | 1 |
| 40 | 500461Z CORD 3M 2 X 1,0 H05VV-F W/PLUG 16A CEE FORM 2P+E FOR GBR | 1 |
| 41 | 320198 NOISE SUPPRESSOR | 1 |
| 501A | 319543 CASE | 1 |
| 601 | 981205 SIDE HANDLE FOR M10 | 1 |
| 602 | 317676 HOOK (A) | 1 |



Rev.1

| |
|-------|
| 形名 |
| D10VF |