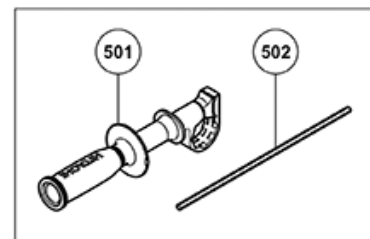
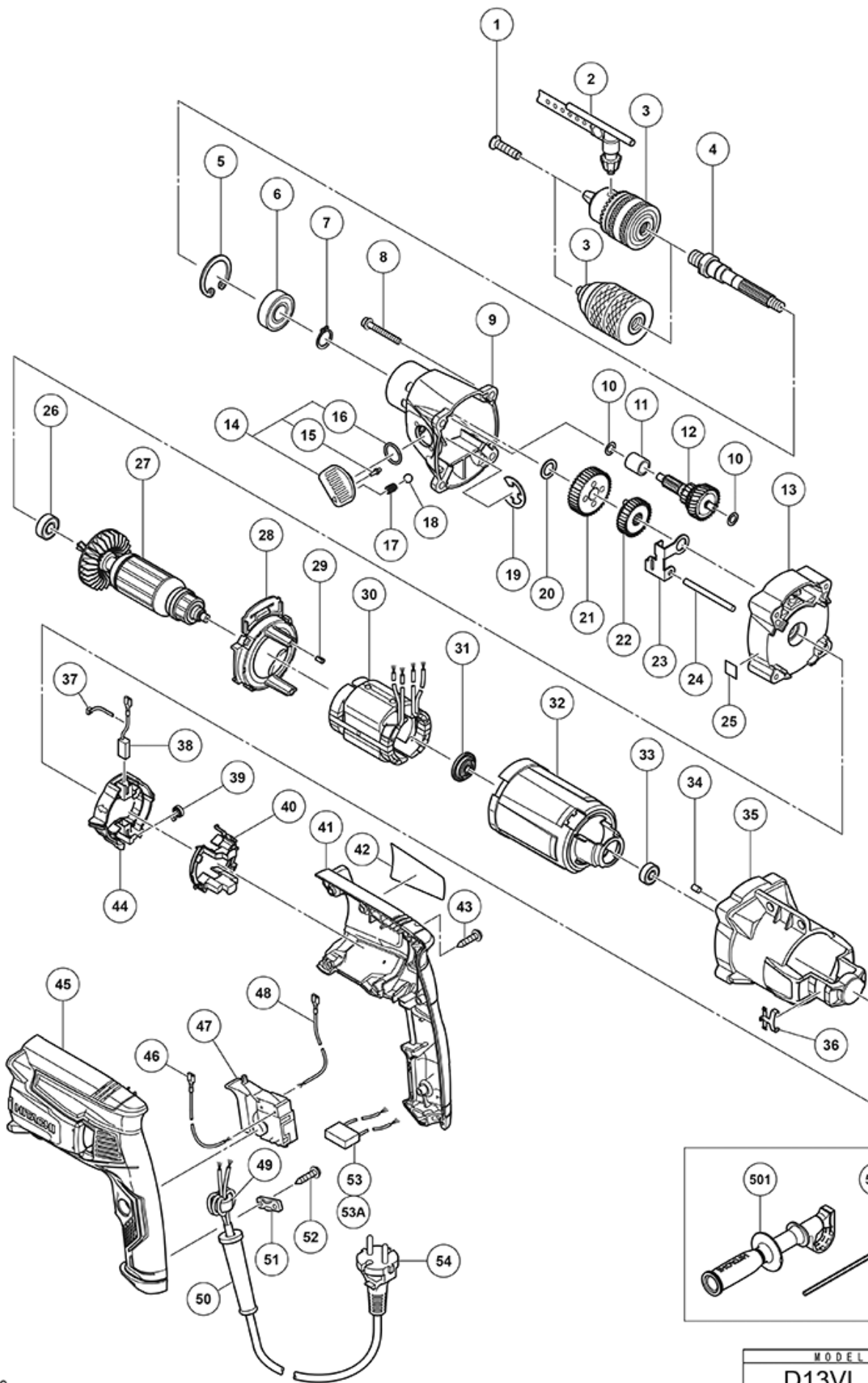


| nÂ° | Artikel  | Aantal gebruikt |
|-----|--|-----------------|
| *54 | 500461Z CORD 3M 2 X 1,0 H05VV-F W/PLUG 16A CEE FORM 2P+E FOR GBR | 1               |
| *50 | 938051 CORD ARMOR D10.1  | 1               |
| *50 | 953327 CORD ARMOR D8.8   | 1               |
| *54 | 323974 CORD  | 1               |
| *54 | 500468Z CORD   | 1               |
| *54 | 500439Z CORD FOR AUS (OLD 500226Z/500411Z)                       | 1               |
| *3  | 321814 DRILL CHUCK 13VLRB-D                                      | 1               |
| *54 | 500435Z CORD 2,5M 2 X 1.0 H05VV-F W/PLUG 13A/250V GBR            | 1               |
| *30 | 340906E STATOR 230 VOLT NEW                                      | 1               |
| *54 | 500409Z CORD   | 1               |
| *30 | 340906B STATOR 110V  | 1               |
| *27 | 361003E ARMATURE 230 VOLT NEW                                    | 1               |
| *3  | 319546 DRILL CHUCK 13VLRE-N (W/O CHUCK WRENCH)                   | 1               |
| *27 | 361003B ARMATURE 110V  | 1               |
| *27 | 361003D ARMATURE 220V  | 1               |
| *27 | 361003F ARMATURE 240V  | 1               |
| *30 | 340906D STATOR 220V  | 1               |
| *30 | 340906F STATOR 240V  | 1               |
| 1   | 995344 FLAT HD.SCREW M6X25 (A) (LEFT HAND) (NEW 744087)          | 1               |
| 2   | 987576 CHUCK WRENCH FOR 13VLB-D,13VLR-D                          | 1               |
| 4   | 339139 SPINDLE NEW   | 1               |
| 5   | 939556 RETAINING RING FOR D35 HOLE (10 PCS)                      | 1               |
| 6   | 6202DD BALL BEARING 6202DDUCMPS2S (OLD 956937)                   | 1               |
| 7   | 939544 RETAINING RING FOR D15 SHAFT (10 PCS)                     | 1               |
| 8   | 338764 HEX.SOCKET HD.BOLT M5X45 (W/FLANGE) NEW                   | 4               |
| 9   | 339137 GEAR COVER (A) NEW  | 1               |
| 10  | 322852 WASHER (B)  | 2               |
| 11  | 338744 DISTANCE PIECE NEW  | 1               |
| 12  | 338743 SECOND PINION (A) NEW FEB                                 | 1               |
| 13  | 339276 INNER COVER (A) NEW                                       | 1               |
| 14  | 338737 SHIFT LEVER ASS'Y NEW FEB                                 | 1               |
| 15  | 322848 SHIFT PIN   | 1               |
| 16  | 878885 O-RING (S-18)   | 1               |
| 17  | 981328 SPRING (H)  | 1               |
| 18  | 335299 STEEL BALL D3.5 (10 PCS)                                  | 1               |
| 19  | 323048 RETAINING RING (E-TYPE) FOR D15 SHAFT                     | 1               |
| 20  | 322799 WASHER (C)  | 1               |
| 21  | 338740 LOW SPEED GEAR NEW  | 1               |

| nÂ° | Artikel                                       | Aantal gebruikt |
|-----|---|-----------------|
| 22  | 338741 HIGH SPEED GEAR NEW                    | 1               |
| 23  | 338742 SHIFT ARM NEW                          | 1               |
| 24  | 984104 PIN D5 (OLD 984104Z)                   | 1               |
| 25  | LABEL (SLIP CLUTCH)                           | 1               |
| 26  | 608DDM BALL BEARING 608DDMC2EPS2S             | 1               |
| 28  | 338766 FAN GUIDE (B) NEW                      | 1               |
| 29  | 338755 RUBBER BUSH NEW                        | 2               |
| 31  | 338751 DUST SEAL NEW                          | 1               |
| 32  | 338750 STATOR HOLDER NEW                      | 1               |
| 33  | 607VVC BALL BEARING 607VVC2PS2L               | 1               |
| 34  | 931701 BEARING LOCK                           | 1               |
| 35  | 338749 HOUSING (B) NEW                        | 1               |
| 36  | 338761 CLICK PLATE NEW                        | 2               |
| 37  | 331759 BAND                                   | 2               |
| 38  | 999088 CARBON BRUSH                           | 2               |
| 39  | 339292 SPRING NEW                             | 2               |
| 40  | 338760 BRUSH COVER NEW                        | 1               |
| 41  | 338753 HANDLE COVER (B) NEW                   | 1               |
| 42  | NAME PLATE                                    | 1               |
| 43  | 301653 TAPPING SCREW (W/FLANGE) D4X20 (BLACK) | 7               |
| 44  | 338759 BRUSH HOLDER NEW                       | 1               |
| 45  | 338752 HANDLE COVER (A) NEW                   | 1               |
| 46  | 338758 INTERNAL WIRE L100 NEW                 | 1               |
| 47  | 338756 SWITCH NEW NOV                         | 1               |
| 48  | 338757 INTERNAL WIRE L180 NEW                 | 1               |
| 49  | 334379 FERRITE CORE                           | 1               |
| 51  | 937631 CORD CLIP                              | 1               |
| 52  | 984750 TAPPING SCREW (W/FLANGE) D4X16         | 2               |
| 53  | 997174 NOISE SUPPRESSOR NEW                   | 1               |
| 53A | 930039 NOISE SUPPRESSOR                       | 1               |
| 501 | 338768 SIDE HANDLE NEW                        | 1               |
| 502 | 303709 DEPTH GAUGE                            | 1               |



MODEL  
D13VL