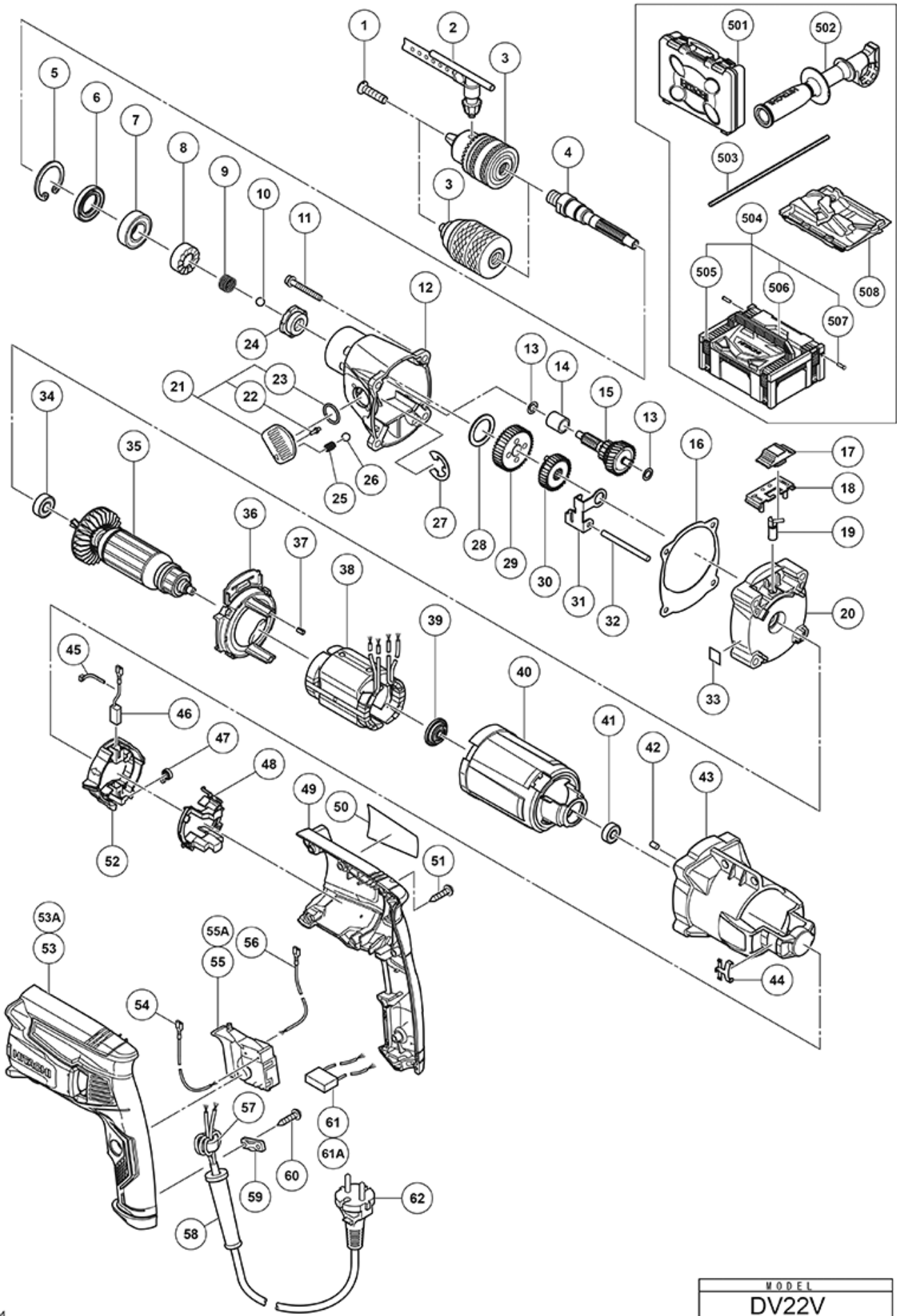


nÂ°	Artikel	Aantal gebruikt
*62	500439Z CORD FOR AUS (OLD 500226Z/500411Z)	1
*62	500409Z CORD	1
*3	319546 DRILL CHUCK 13VLR-N (W/O CHUCK WRENCH)	1
*62	500461Z CORD 3M 2 X 1,0 H05VV-F W/PLUG 16A CEE FORM 2P+E FOR GBR	1
*62	323974 CORD	1
*62	500408Z CORD	1
*62	500468Z CORD	1
*62	500505Z CORD	1
*58	938051 CORD ARMOR D10.1	1
*58	953327 CORD ARMOR D8.8	1
*38	340905E STATOR 230-240 VOLT NEW	1
*35	361002E ARMATURE 230 VOLT NEW	1
*3	321814 DRILL CHUCK 13VLRB-D	1
*35	361002B ARMATURE 110V	1
*35	361002F ARMATURE 240V	1
*35	361002D ARMATURE 220V	1
*38	340905D STATOR 220V	1
*38	340905B STATOR 110V	1
1	995344 FLAT HD.SCREW M6X25 (A) (LEFT HAND) (NEW 744087)	1
2	987576 CHUCK WRENCH FOR 13VLB-D,13VLR-D	1
4	338738 SPINDLE (A) NEW	1
5	939556 RETAINING RING FOR D35 HOLE (10 PCS)	1
6	971745 OIL SEAL (A)	1
7	6003DD BALL BEARING 6003DDCMLS2S	1
8	338771 RATCHET (D) NEW	1
9	984101 SPRING (A) (OLD 984101Z)	1
10	959150 STEEL BALL D6.35 (10 PCS.)	1
11	338764 HEX.SOCKET HD.BOLT M5X45 (W/FLANGE) NEW	4
12	338769 GEAR COVER ASS'Y (A) NEW	1
13	322852 WASHER (B)	2
14	338744 DISTANCE PIECE NEW	1
15	338743 SECOND PINION (A) NEW FEB	1
16	339222 PACKING NEW	1
17	338746 CHANGE LEVER NEW FEB	1
18	338747 CHANGE COVER NEW FEB	1
19	338748 CHANGE SHAFT NEW FEB	1
20	338745 INNER COVER (A) NEW	1
21	338737 SHIFT LEVER ASS'Y NEW FEB	1

nÂ°	Artikel	Aantal gebruikt
22	322848 SHIFT PIN	1
23	878885 O-RING (S-18)	1
24	338770 RATCHET (C) NEW	1
25	981328 SPRING (H)	1
26	335299 STEEL BALL D3.5 (10 PCS)	1
27	323048 RETAINING RING (E-TYPE) FOR D15 SHAFT	1
28	339223 WASHER NEW	1
29	338740 LOW SPEED GEAR NEW	1
30	338741 HIGH SPEED GEAR NEW	1
31	338742 SHIFT ARM NEW	1
32	984104 PIN D5 (OLD 984104Z)	1
33	LABEL (SLIP CLUTCH)	1
34	608DDM BALL BEARING 608DDMC2EPS2S	1
36	338754 FAN GUIDE (B) NEW	1
37	338755 RUBBER BUSH NEW	2
39	338751 DUST SEAL NEW	1
40	338750 STATOR HOLDER NEW	1
41	607VVC BALL BEARING 607VVC2PS2L	1
42	931701 BEARING LOCK	1
43	338749 HOUSING (B) NEW	1
44	338761 CLICK PLATE NEW	2
45	331759 BAND	2
46	999088 CARBON BRUSH	2
47	339292 SPRING NEW	2
48	338760 BRUSH COVER NEW	1
49	338753 HANDLE COVER (B) NEW	1
50	NAME PLATE	1
51	301653 TAPPING SCREW (W/FLANGE) D4X20 (BLACK)	7
52	338759 BRUSH HOLDER NEW	1
53A	339608 HANDLE COVER (A)	1
53	338752 HANDLE COVER (A) NEW	1
54	338758 INTERNAL WIRE L100 NEW	1
55A	339607 SWITCH	1
55	338756 SWITCH NEW NOV	1
55A	339497 SWITCH	1
56	338757 INTERNAL WIRE L180 NEW	1
57	334379 FERRITE CORE	1
59	937631 CORD CLIP	1

nÂ°	Artikel	Aantal gebruikt
60	984750 TAPPING SCREW (W/FLANGE) D4X16	2
61	997174 NOISE SUPPRESSOR NEW	1
61A	930039 NOISE SUPPRESSOR	1
501	338762 PLASTIC CARRYING CASE NEW	1
502	338768 SIDE HANDLE NEW	1
503	303709 DEPTH GAUGE	1
504	402539 STACKABLE CASE HSC II INCL FOAM (OLD 40025011)	1
505	336472 LATCH	4
506	336473 HANDLE (HSC) NEW	1
507	336474 HINGE	2
508	338763 INNER TRAY D20VD/DV22V (HSCII) NEW SEP	1



Rev.4

MODEL
DV22V