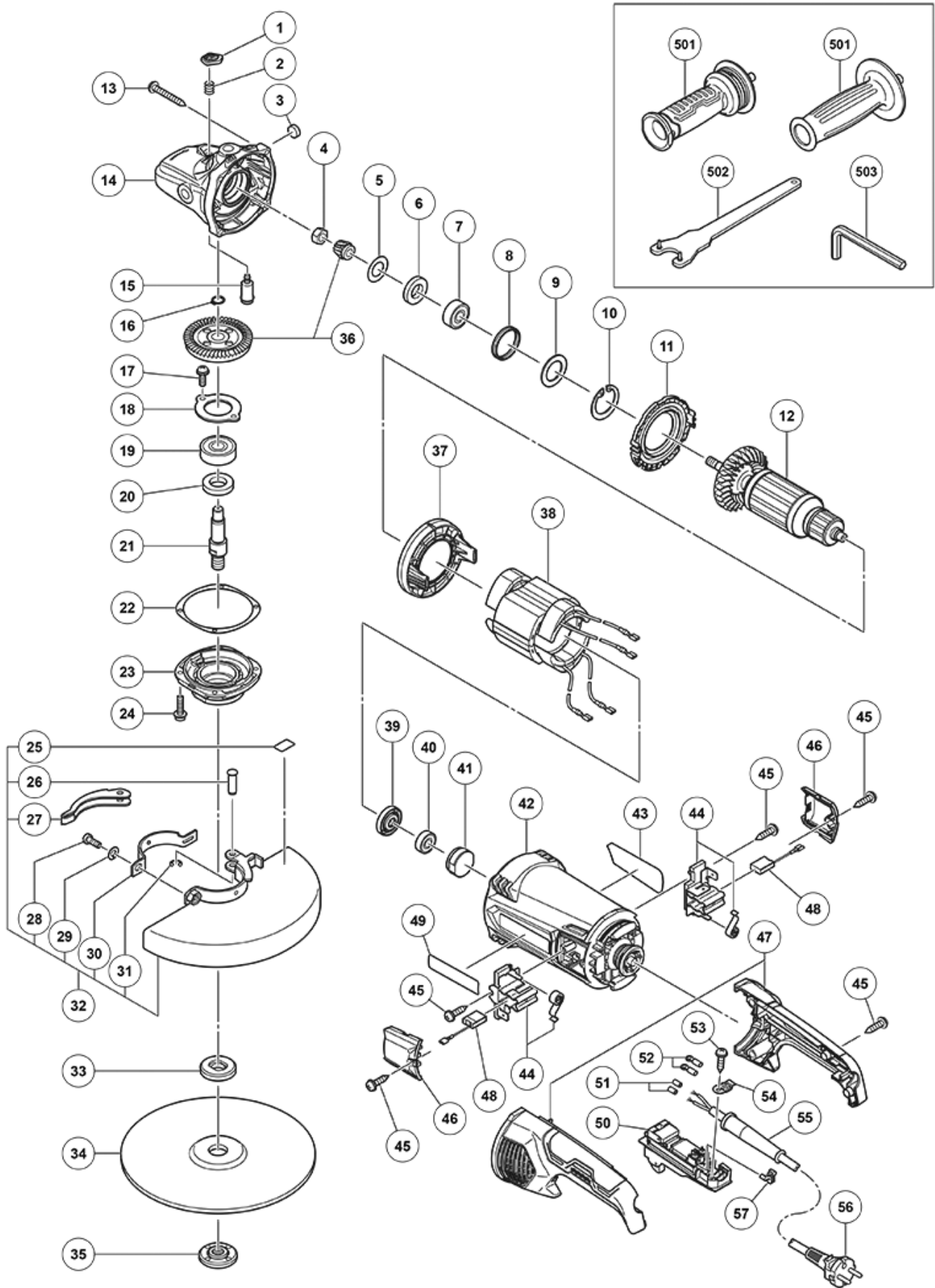


nÂ°	Artikel	Aantal gebruikt
1	337641	1
2	320219 SPRING	1
3	937033 FELT WASHER	1
4	320226 SPECIAL NUT M10	1
5	320221 SEAL WASHER	1
6	320222 FELT PACKING	1
7	6301DD BALL BEARING 6301DDUCMPS2S (OLD 994272)	1
8	330031 RUBBER RING	1
9	337642 WASHER	1
10	948391 RETAINING RING FOR D40 HOLE	1
11	337640 FAN GUIDE (B)	1
12	361093C ARMATURE 110 VOLT NEW	1
12	361093E ARMATURE 220V-230V NEW	1
12	361093U ARMATURE ASS'Y 120 VOLT NEW	1
12	361093F ARMATURE 240 VOLT NEW	1
13	323209 TAPPING SCREW D5X35 (W/FLANGE) BLACK	4
14	374598 GEAR COVER (A) ASS'Y NEW	1
15	306890 LOCK PIN	1
16	939542 RETAINING RING FOR D12 (10 PCS)	1
17	992038 SEAL LOCK SCREW M5X10 (W/SP WASHER)	2
18	320229 BEARING COVER (B)	1
19	6302VV BALL BEARING 6302VVCMP2S	1
20	990852 FELT PACKING (B)	1
21	321541 SPINDLE	1
21	320234 SPINDLE	1
22	320228 SEAL PLATE	1
23	320227 PACKING GLAND	1
24	994192 HEX.SOCKET HD.BOLT	4
25	311492 LABEL	1
26	321546 SET PIN	1
27	321545 LEVER	1
28	306887 BOLT M8X22	1
28	949760 HEX.SOCKET HD.BOLT M8X25 (10 PCS)	1
29	949457 SPRING WASHER M8 (10 PCS.)	1
30	321544 SET PIECE	1
31	673489 RETAINING RING (E-TYPE)	1
32	374999 WHEEL GUARD ASS'Y	1
32	337225 WHEEL GUARD ASS'Y	1

nÂ°	Artikel	Aantal gebruikt
33	334456 WHEEL WASHER (C) (OLD 937928Z)	1
33	937907Z WHEEL WASHER (C)	1
35	937923P WHEEL NUT 5/8"-11UNC	1
35	373779 WHEEL NUT M14X2 (OLD 937909Z)	1
36	330688 GEAR AND PINION SET	1
37	373752 FAN GUIDE (C) NEW	1
38	341007C STATOR 110 VOLT NEW	1
38	341007E STATOR 220-230 VOLT NEW	1
38	341007D STATOR 120 VOLT NEW	1
38	341007F STATOR 240 VOLT NEW	1
39	330029 DUST SEAL	1
40	6000VV BALL BEARING 6000VVCMP52L	1
41	321536 BEARING BUSH ASSY (OLD 320244)	1
42	373751 HOUSING ASSY NEW	1
44	322323 BRUSH HOLDER	2
45	305812 TAPPING SCREW (W/FLANGE) D4X16 (BLACK)	8
46	373754 BRUSH COVER NEW	2
47	373922 HANDLE SET NEW	1
48	999061 CARBON BRUSH 7X17X22.5 (1 PAIR)	1
48	999089 CARBON BRUSH A.S. TYPE (1 PAIR)	1
50	320238 SWITCH W/SAFETY LOCK	1
50	320239 SWITCH W/SAFETY LOCK W/LOCK	1
50	322614 SWITCH (2P PILLAR TYPE) W/SAFETY LOCK (DC)	1
50	338295 SWITCH 2 PILLAR TYPE W/LOCK 110 VOLT	1
51	981373 TUBE (D)	2
52	930804 TERMINAL M4.0 (10 PCS.)	2
53	984750 TAPPING SCREW (W/FLANGE) D4X16	1
54	331336 CORD CLIP	1
55	940778 CORD ARMOR D10.7	1
55	958049 CORD ARMOR D8.2 (OLD 958049Z)	1
56	500474Z CORD (OLD 500214Z) (NEW 714520)	1
56	321538 CORD	1
56	337366 CORD	1
56	321537 CORD 4M 2 X 1,5 H07RN-F (NEW 714520)	1
56	321539 CORD FOR GBR 110 VOLT	1
56	500496Z CORD	1
56	500537Z CORD	1
56	500435Z CORD 2,5M 2 X 1.0 H05VV-F W/PLUG 13A/250V GBR	1

nÂ°	Artikel	Aantal gebruikt
56	500234Z CORD 5M 2 X 1.0 FOR INA,SUR,MLT H05VV-F (NEW 714500)	1
57	322549 SWITCH COVER	1
501	937981 SIDE HANDLE FOR M14 (OLD 321542)	1
501	336864 SIDE HANDLE	1
502	325491 WRENCH	1
503	872422 HEX. BAR WRENCH 6MM	1
602	310337 SUPER WHEEL WASHER	1
603	323993 PIPE HANDLE SET (OLD 322141)	1
604	985597 BOLT M14	2
605	332797 WHEEL GUARD (FOR CUTTING)	1



MODEL
G23SC4

Rev.1