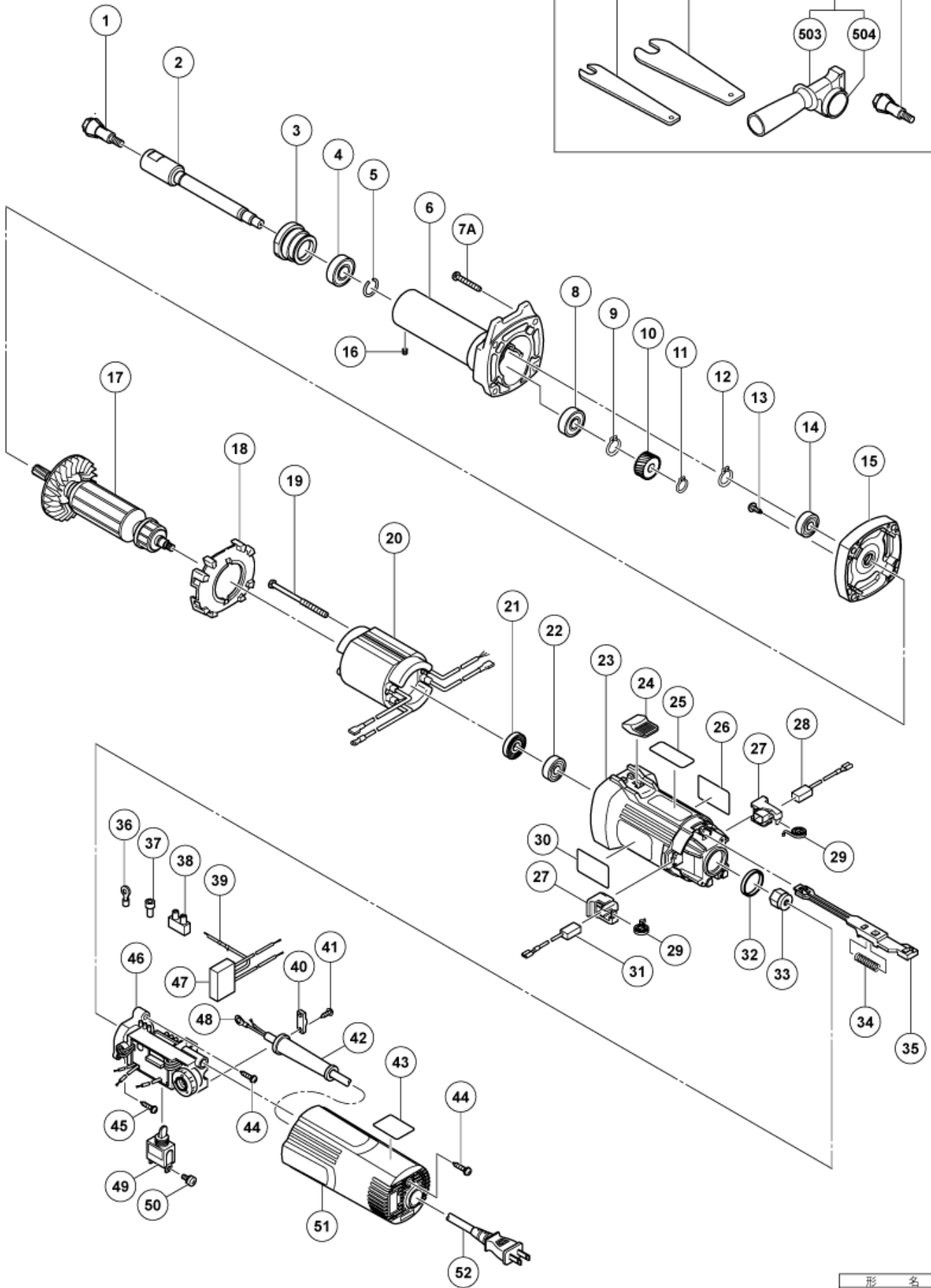
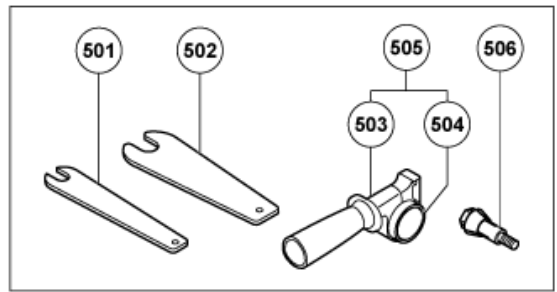


nÂ°	Artikel	Aantal gebruikt
1	331422 COLLET CHUCK 1/4"	1
2	333644 SPINDLE	1
3	332452 BEARING LID (B)	1
4	6001VV BALL BEARING 6001VV	1
5	932617 RING	1
6	333642 NOSE BRACKET	1
7A	334402 TAPPING SCREW D5X35 BLACK(334279)	4
8	6000VV BALL BEARING 6000VVCMP2L	1
9	939540 RETAINING RING FOR D10 SHAFT (10 PCS.)	1
10	333646 FIRST GEAR	1
11	940079 RETAINING RING FOR D8 SHAFT	1
12	885977 RETAINING RING	1
13	323556 SLOTTED HD.SCREW SEAL LOCK M4X8	2
14	609VVM BALL BEARING 609VVC2PS2L	1
15	333643 INNER COVER	1
16	981478 HEX. SOCKET SET SCREW M4X4	1
17	360914E ARMATURE 220V-230V	1
18	319898 FAN GUIDE	1
19	982021 HEX. HD. TAPPING SCREW D4X70	2
20	340829F STATOR 230-240 VOLT (W/CHOKE COIL)	1
21	315877 DUST SEAL	1
22	608VVM BALL BEARING 608VVC2PS2L	1
23	317802 HOUSING	1
24	314428 SLIDE KNOB	1
25	CAUTION PLATE	1
27	317810 BRUSH HOLDER	2
28	999076 CARBON BRUSH (AUTO STOP TYPE) (1 PAIR)	1
29	308536 SPRING	2
31	999088 CARBON BRUSH	1
32	995662 RUBBER RING (OLD 997511)	1
33	333933 MAGNET	1
34	314429 SPRING	1
35	319370 SLIDE BAR	1
36	930804 TERMINAL M4.0 (10 PCS.)	1
37	959140 CONNECTOR 50091 (10 PCS.)	1
38	938307 PILLAR TERMINAL	1
39	314854 EARTH TERMINAL	1
40	937631 CORD CLIP	1

nÂ°	Artikel	Aantal gebruikt
41	984750 TAPPING SCREW (W/FLANGE) D4X16	2
42	938051 CORD ARMOR D10.1	1
42	953327 CORD ARMOR D8.8	1
43	333935 SETTING LABEL (B)	1
44	301653 TAPPING SCREW (W/FLANGE) D4X20 (BLACK)	2
45	307028 TAPPING SCREW (W/FLANGE) D4X25 (BLACK)	1
46	333593 CONTROLLER 127 VOLT	1
46	333592 CONTROLLER 220V-240V	1
46	333591 CONTROLLER 100-120 VOLT NEW	1
47	325566 NOISE SUPPRESSOR	1
48	980063 TERMINAL	1
49	314603 SWITCH (1P SOLDER TYPE)	1
50	305499 MACHINE SCREW (W/WASHER) M3,5X6	2
51	319376 TAIL COVER	1
52	500247Z CORD (NEW 714500)	1
52	500237Z CORD 2,5M 2 X 1.0 W/O PLUG (OLD 500396Z,971517Z,971675Z)	1
52	500439Z CORD FOR AUS (OLD 500226Z/500411Z)	1
52	500409Z CORD	1
52	500447Z CORD 2,5M 2 X 1.0 H05VV-F (OLD 500395Z)	1
52	500234Z CORD 5M 2 X 1.0 FOR INA,SUR,MLT H05VV-F (NEW 714500)	1
52	500240Z CORD FOR USA/CAN	1
52	500435Z CORD 2,5M 2 X 1.0 H05VV-F W/PLUG 13A/250V GBR	1
501	936553 WRENCH 12MM	1
502	936638 WRENCH 17MM	1
503	318312 SIDE HANDLE	1
504	330061 FLANGED SLEEVE	1
505	330060 SIDE HANDLE SLEEVE ASS'Y	1
624	939120 DRESSER C36PV	1
625	331477 COLLET CHUCK 5/16 FOR NOR, SWE, DEN, FIN	1
626	932624 COLLET CHUCK 3MM	1
627	985136 COLLET CHUCK 1/8"	1
628	333936 COLLET CHUCK 6MM	1



Rev.2

形名
GP5V