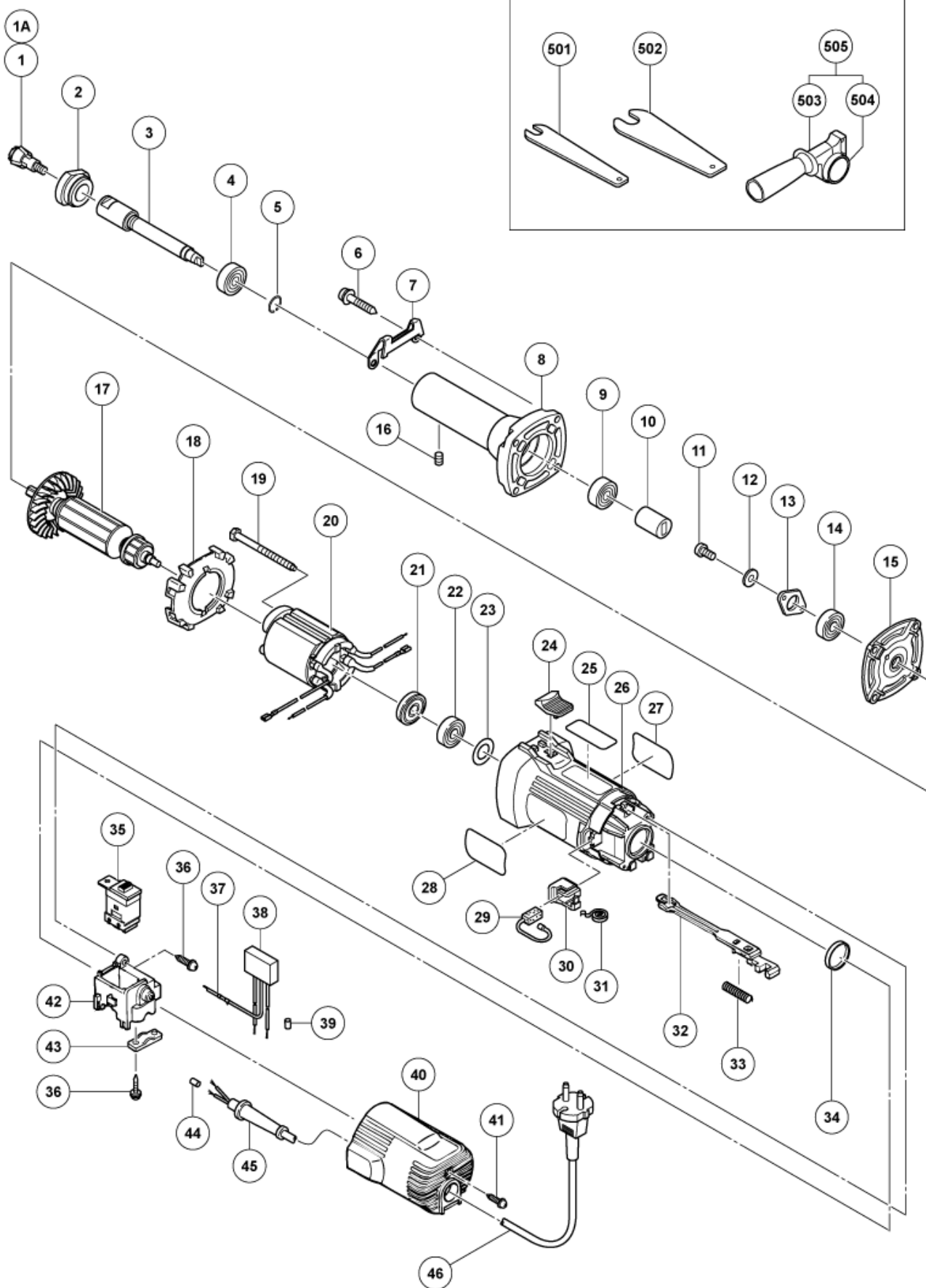


nÂ°	Artikel	Aantal gebruikt
1A	332812 COLLET CHUCK 6MM	1
1	331422 COLLET CHUCK 1/4"	1
2	332452 BEARING LID (B)	1
3	332453 SPINDLE	1
4	6001VV BALL BEARING 6001VV	1
5	932617 RING	1
6	986011 TAPPING SCREW D5X30 (W/SP.WASHER)	4
7	317807 GUARD PLATE	1
8	331474 NOSE BRACKET	1
9	6000VV BALL BEARING 6000VVCMP2L	1
10	985140 COUPLING (OLD 933572)	1
11	987201 SEAL LOCK SCREW M4X10 (W/SP WASHER)	2
12	949453 SPRING WASHER M4 (10 PCS)	2
13	937876 BEARING COVER	1
15	331475 INNER COVER	1
16	981478 HEX. SOCKET SET SCREW M4X4	1
17	360879U ARMATURE ASS'Y 110-120 VOLT	1
17	360879F ARMATURE 240V	1
17	360879D ARMATURE 127V	1
17	360879E ARMATURE 220-230 VOLT	1
18	319898 FAN GUIDE	1
19	982021 HEX. HD. TAPPING SCREW D4X70	2
20	340758C STATOR (A) 110V-120V	1
20	340758F STATOR (A) 240V	1
20	340758H STATOR (A) 230 VOLT	1
20	340758L STATOR (A) 240V	1
20	340758M STATOR (A) 110V	1
20	340758G STATOR ASS'Y (A) 110 VOLT	1
20	340758D STATOR (A) 127V	1
20	340758E STATOR (A) 220V-230V	1
21	315877 DUST SEAL	1
22	608VVM BALL BEARING 608VVC2PS2L	1
23	332804 WASHER M14	1
24	314428 SLIDE KNOB	1
25	CAUTION PLATE	1
26	317802 HOUSING	1
27	NAME PLATE	1
28	HITACHI LABEL	1

nÂ°	Artikel	Aantal gebruikt
29	999088 CARBON BRUSH	2
30	317810 BRUSH HOLDER	2
31	308536 SPRING	2
32	317806 SLIDE BAR	1
33	314429 SPRING	1
34	995662 RUBBER RING (OLD 997511)	1
35	332805 SLIDE SWITCH (2P PILLAR TYPE)	1
35	321208 SLIDE SWITCH (2P PILLAR TYPE) (NEW 980778)	1
37	314854 EARTH TERMINAL	1
38	325566 NOISE SUPPRESSOR	1
40	317808 TAIL COVER	1
41	984750 TAPPING SCREW (W/FLANGE) D4X16	3
42	317811 SWITCH HOLDER	1
43	937631 CORD CLIP	1
44	981373 TUBE (D)	2
45	953327 CORD ARMOR D8.8	1
45	938051 CORD ARMOR D10.1	1
46	500247Z CORD (NEW 714500)	1
46	500439Z CORD FOR AUS (OLD 500226Z/500411Z)	1
46	500435Z CORD 2,5M 2 X 1.0 H05VV-F W/PLUG 13A/250V GBR	1
46	500409Z CORD	1
46	500461Z CORD 3M 2 X 1,0 H05VV-F W/PLUG 16A CEE FORM 2P+E FOR GBR	1
46	323974 CORD	1
46	500423Z @ CORD 2,5M 2 X 1.0 H05VV-F W/PLUG 13A/250V (OLD 500223Z)	1
46	500455Z CORD	1
46	500240Z CORD FOR USA/CAN	1
46	500234Z CORD 5M 2 X 1.0 FOR INA,SUR,MLT H05VV-F (NEW 714500)	1
46	500484Z CORD	1
46	500237Z CORD 2,5M 2 X 1.0 W/O PLUG (OLD 500396Z,971517Z,971675Z)	1
501	936553 WRENCH 12MM	1
502	936638 WRENCH 17MM	1
503	324548 SIDE HANDLE	1
504	330061 FLANGED SLEEVE	1
505	330060 SIDE HANDLE SLEEVE ASS'Y	1
601	932624 COLLET CHUCK 3MM	1
602	985135 COLLET CHUCK 8MM	1
603	985136 COLLET CHUCK 1/8"	1
604	939103 MOUNTED WHEELS KA-4 D6 SHAFT (10 PCS.)	1

nÂ°	Artikel	Aantal gebruikt
605	939104 MOUNTED WHEELS KA-5 D6 SHAFT (10 PCS.)	1
606	939107 MOUNTED WHEELS KA-8 D6 SHAFT (10 PCS.)	1
607	949021 MOUNTED WHEELS KA-12 D6 SHAFT (10 PCS.)	1
608	949022 MOUNTED WHEELS KA-13 D6 SHAFT (10 PCS.)	1
609	939110 MOUNTED WHEELS KA-20 D3 SHAFT (20 PCS.)	1
610	939115 MOUNTED WHEELS KC-20 D3 SHAFT (20 PCS.)	1
611	939117 MOUNTED WHEELS KC-22 D3 SHAFT (20 PCS.)	1
612	939118 MOUNTED WHEELS KC-23 D3 SHAFT (20 PCS.)	1
613	939119 MOUNTED WHEELS KC-24 D3 SHAFT (20 PCS.)	1
614	939120 DRESSER C36PV	1



Rev.3

形名
GP2S2